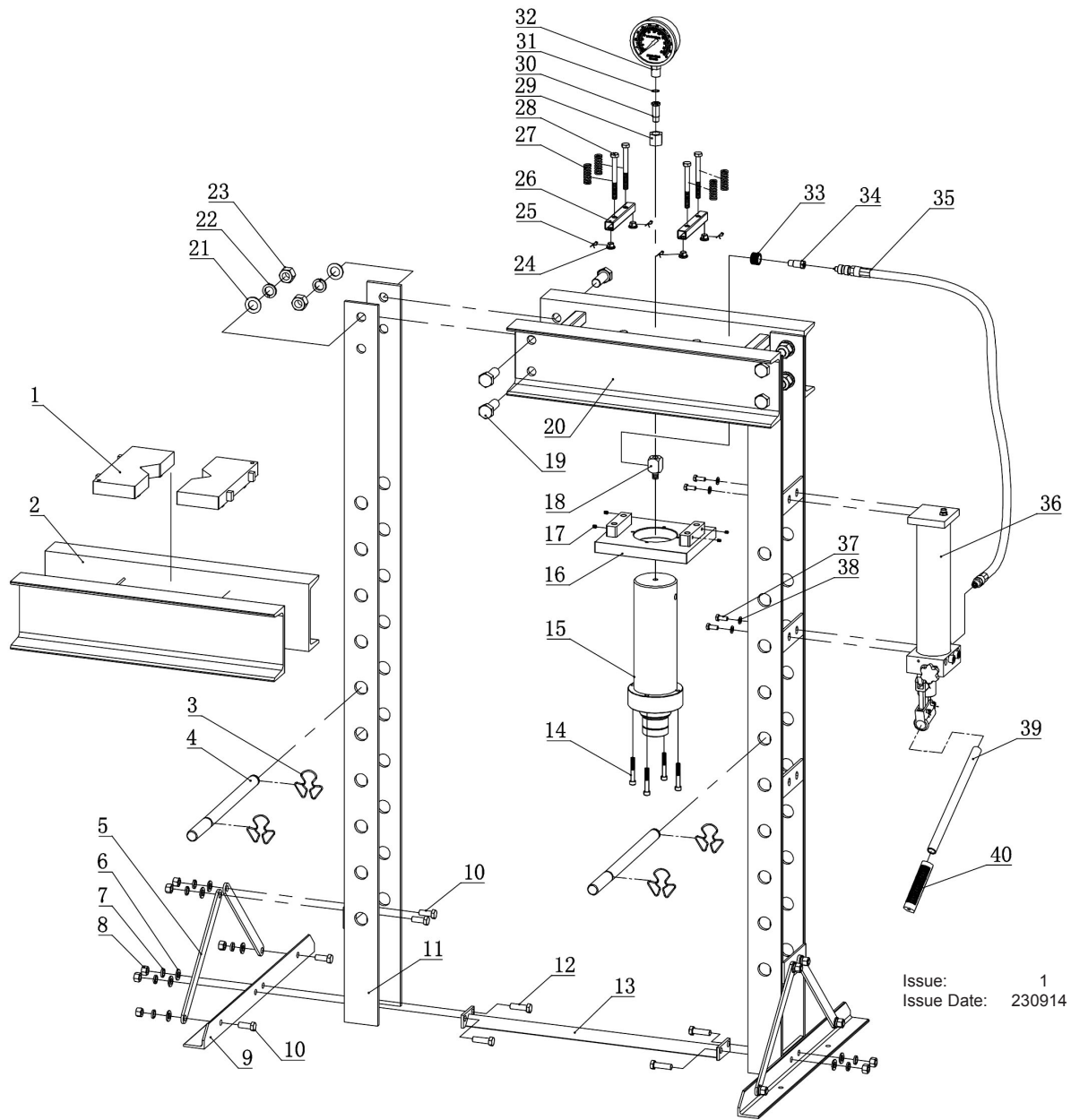




PARTS FOR:  
**30tonne HYDRAULIC PRESS FLOOR TYPE**  
**MODEL: YK30XF**

1 OF 3



Issue: 1  
 Issue Date: 230914

| ITEM | PART NO   | DESCRIPTION        | ITEM | PART NO   | DESCRIPTION          | ITEM | PART NO   | DESCRIPTION              |
|------|-----------|--------------------|------|-----------|----------------------|------|-----------|--------------------------|
| 1    | YK30XF.01 | V-BLOCK            | 15   | YK30XF.15 | RAM ASS'Y            | 29   | YK30XF.29 | NUT                      |
| 2    | YK30XF.02 | BED,FRAME          | 16   | YK30XF.16 | RAM SUPPORT PLATE    | 30   | YK30XF.30 | GAUGE FITTING            |
| 3    | YK30XF.03 | CIRCLIP            | 17   | YK30XF.17 | SCREW                | 31   | YK30XF.31 | NYLON RING               |
| 4    | YK30XF.04 | TABLE PIN          | 18   | YK30XF.18 | GAUGE CONNECTION NUT | 32   | YK30XF.32 | PRESSURE GAUGE (30tonne) |
| 5    | YK30XF.05 | FRAME SUPPORT      | 19   | YK30XF.19 | BOLT                 | 33   | YK30XF.33 | NUT                      |
| 6    | YK30XF.06 | WASHER             | 20   | YK30XF.20 | UPPER CROSS BEAM     | 34   | YK30XF.34 | COUPLER ASS'Y            |
| 7    | YK30XF.07 | LOCK WASHER        | 21   | YK30XF.21 | WASHER               | 35   | YK30XF.35 | HYDRAULIC HOSE 1.2m      |
| 8    | YK30XF.08 | NUT                | 22   | YK30XF.22 | LOCK WASHER          | 36   | YK30XF.36 | PUMP ASS'Y               |
| 9    | YK30XF.09 | BASE SECTION       | 23   | YK30XF.23 | NUT                  | 37   | YK30XF.37 | BOLT                     |
| 10   | YK30XF.10 | BOLT               | 24   | YK30XF.24 | SLIDING BLOCK        | 38   | YK30XF.38 | WASHER                   |
| 11   | YK30XF.11 | UPRIGHT            | 25   | YK30XF.25 | R-PIN                | 39   | YK30XF.39 | PUMP HANDLE              |
| 12   | YK30XF.12 | BOLT               | 26   | YK30XF.26 | CONNECTING ROD       | 40   | YK30XF.40 | PUMP HANDLE GRIP         |
| 13   | YK30XF.13 | LOWER CROSS MEMBER | 27   | YK30XF.27 | SPRING               |      |           |                          |
| 14   | YK30XF.14 | SCREW              | 28   | YK30XF.28 | BOLT                 |      |           |                          |

**NOTE:** It is our policy to continually improve products and as such we reserve the right to alter data, specifications and component parts without prior notice.

**IMPORTANT:** No liability is accepted for incorrect use of product.

**WARRANTY:** Guarantee is 12 months from purchase date, proof of which will be required for any claim.

**INFORMATION:** For a copy of our latest catalogue and promotions call us on 01284 757525 and leave your full name and address, including postcode.



Sole UK Distributor,  
 Sealey Group, Kempson Way,  
 Suffolk Business Park,  
 Bury St Edmunds, Suffolk, IP32 7AR



01284 757500



01284 703534

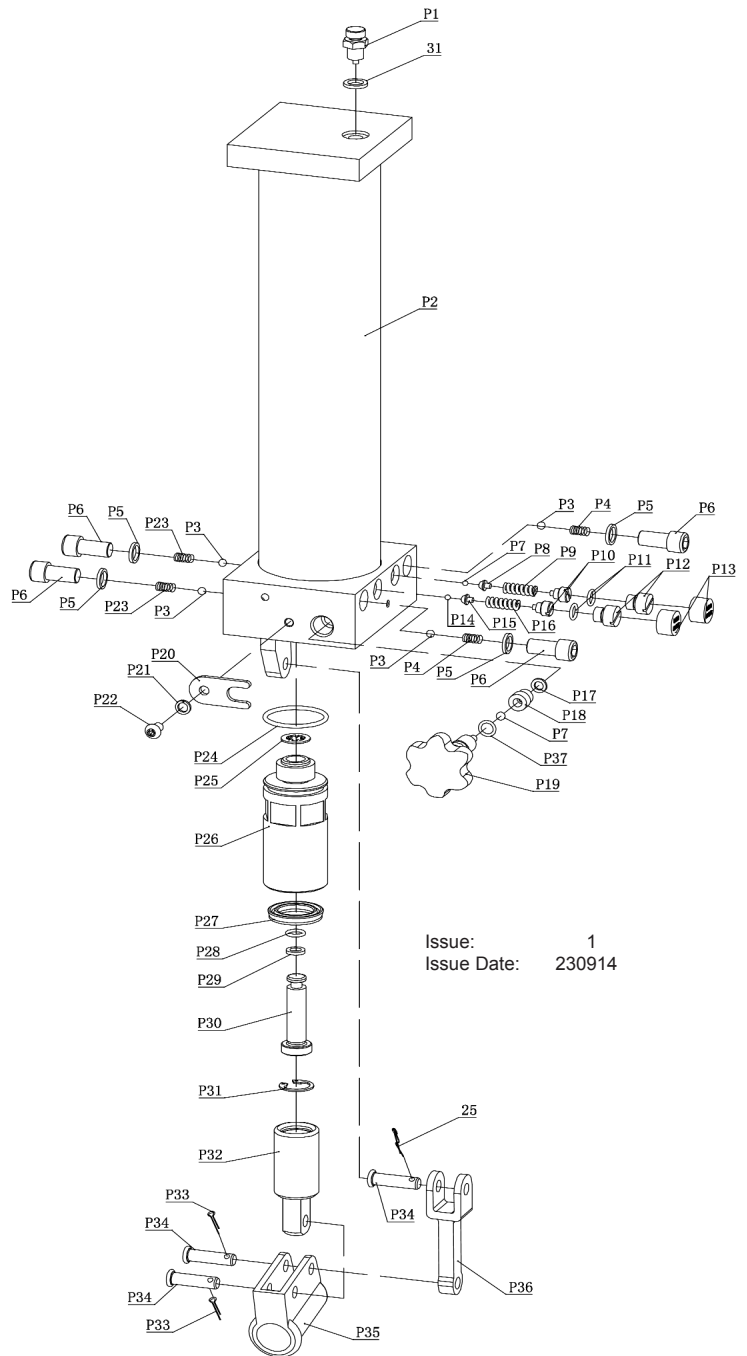


[www.sealey.co.uk](http://www.sealey.co.uk)



[sales@sealey.co.uk](mailto:sales@sealey.co.uk)

| ITEM | PART NO    | DESCRIPTION        |
|------|------------|--------------------|
| P1   | YK30XF.P01 | SCREW              |
| P2   | YK30XF.P02 | RESERVOIR          |
| P3   | YK30XF.P03 | STEEL BALL         |
| P4   | YK30XF.P04 | SPRING             |
| P5   | YK30XF.P05 | COPPER WASHER      |
| P6   | YK30XF.P06 | SCREW              |
| P7   | YK30XF.P07 | STEEL BALL         |
| P8   | YK30XF.P08 | BALL SEAT          |
| P9   | YK30XF.P09 | SPRING             |
| P10  | YK30XF.P10 | SCREW              |
| P11  | YK30XF.P11 | O-RING             |
| P12  | YK30XF.P12 | SCREW              |
| P13  | YK30XF.P13 | DUST CAP           |
| P14  | YK30XF.P14 | STEEL BALL         |
| P15  | YK30XF.P15 | BALL SEAT          |
| P16  | YK30XF.P16 | SPRING             |
| P17  | YK30XF.P17 | WASHER             |
| P18  | YK30XF.P18 | RELEASE VALVE SEAT |
| P19  | YK30XF.P19 | RELEASE VALVE      |
| P20  | YK30XF.P20 | U-RING             |
| P21  | YK30XF.P21 | LOCK WASHER        |
| P22  | YK30XF.P22 | SCREW              |
| P23  | YK30XF.P23 | SPRING             |
| P24  | YK30XF.P24 | O-RING             |
| P25  | YK30XF.P25 | COPPER WASHER      |
| P26  | YK30XF.P26 | PUMP CORE          |
| P27  | YK30XF.P27 | U-RING             |
| P28  | YK30XF.P28 | O-RING             |
| P29  | YK30XF.P29 | WASHER (PTFE)      |
| P30  | YK30XF.P30 | PUMP CORE          |
| P31  | YK30XF.P31 | RETAINING RING     |
| P32  | YK30XF.P32 | PUMP CORE          |
| P33  | YK30XF.P33 | COTTER PIN         |
| P34  | YK30XF.P34 | PIN                |
| P35  | YK30XF.P35 | RING FOR RAM       |
| P36  | YK30XF.P36 | CONNECTING ROD     |
| P37  | YK30XF.P37 | O-RING             |
| 25   | YK30XF.25  | R-PIN              |
| 31   | YK30XF.31  | NYLON RING         |



Issue: 1  
 Issue Date: 230914

**NOTE:** It is our policy to continually improve products and as such we reserve the right to alter data, specifications and component parts without prior notice.

**IMPORTANT:** No liability is accepted for incorrect use of product.

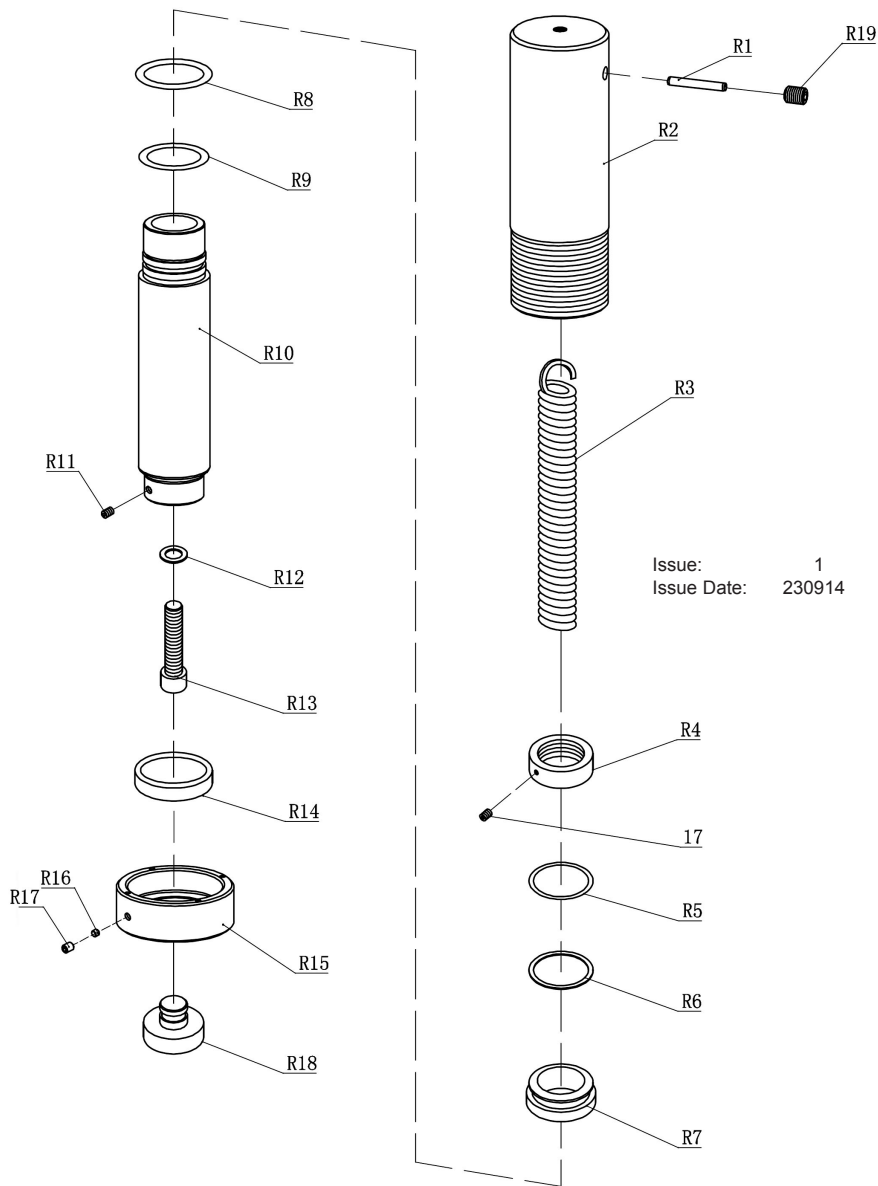
**WARRANTY:** Guarantee is 12 months from purchase date, proof of which will be required for any claim.

**INFORMATION:** For a copy of our latest catalogue and promotions call us on 01284 757525 and leave your full name and address, including postcode.



PARTS FOR:  
**30tonne HYDRAULIC PRESS FLOOR TYPE**  
**MODEL: YK30XF**

**3 OF 3**



| ITEM | PART NO    | DESCRIPTION   | ITEM | PART NO    | DESCRIPTION     |
|------|------------|---------------|------|------------|-----------------|
| R1   | YK30XF.R01 | PIN           | R11  | YK30XF.R11 | SCREW           |
| R2   | YK30XF.R02 | CYLINDER ASSY | R12  | YK30XF.R12 | COPPER WASHER   |
| R3   | YK30XF.R03 | SPRING        | R13  | YK30XF.R13 | SCREW           |
| R4   | YK30XF.R04 | NUT           | R14  | YK30XF.R14 | RETAINING RING  |
| R5   | YK30XF.R05 | O-RING        | R15  | YK30XF.R15 | CAP             |
| R6   | YK30XF.R06 | WASHER (PTFE) | R16  | YK30XF.R16 | NYLON BLOCK     |
| R7   | YK30XF.R07 | PISTON        | R17  | YK30XF.R17 | SCREW           |
| R8   | YK30XF.R08 | O-RING        | R18  | YK30XF.R18 | SERRATED SADDLE |
| R9   | YK30XF.R09 | RING (PTFE)   | 17   | YK30XF.17  | SCREW           |
| R10  | YK30XF.R10 | PISTON ROD    |      |            |                 |

**NOTE:** It is our policy to continually improve products and as such we reserve the right to alter data, specifications and component parts without prior notice.

**IMPORTANT:** No liability is accepted for incorrect use of product.

**WARRANTY:** Guarantee is 12 months from purchase date, proof of which will be required for any claim.

**INFORMATION:** For a copy of our latest catalogue and promotions call us on 01284 757525 and leave your full name and address, including postcode.



Sole UK Distributor,  
 Sealey Group, Kempson Way,  
 Suffolk Business Park,  
 Bury St Edmunds, Suffolk, IP32 7AR



01284 757500



01284 703534



[www.sealey.co.uk](http://www.sealey.co.uk)



[sales@sealey.co.uk](mailto:sales@sealey.co.uk)