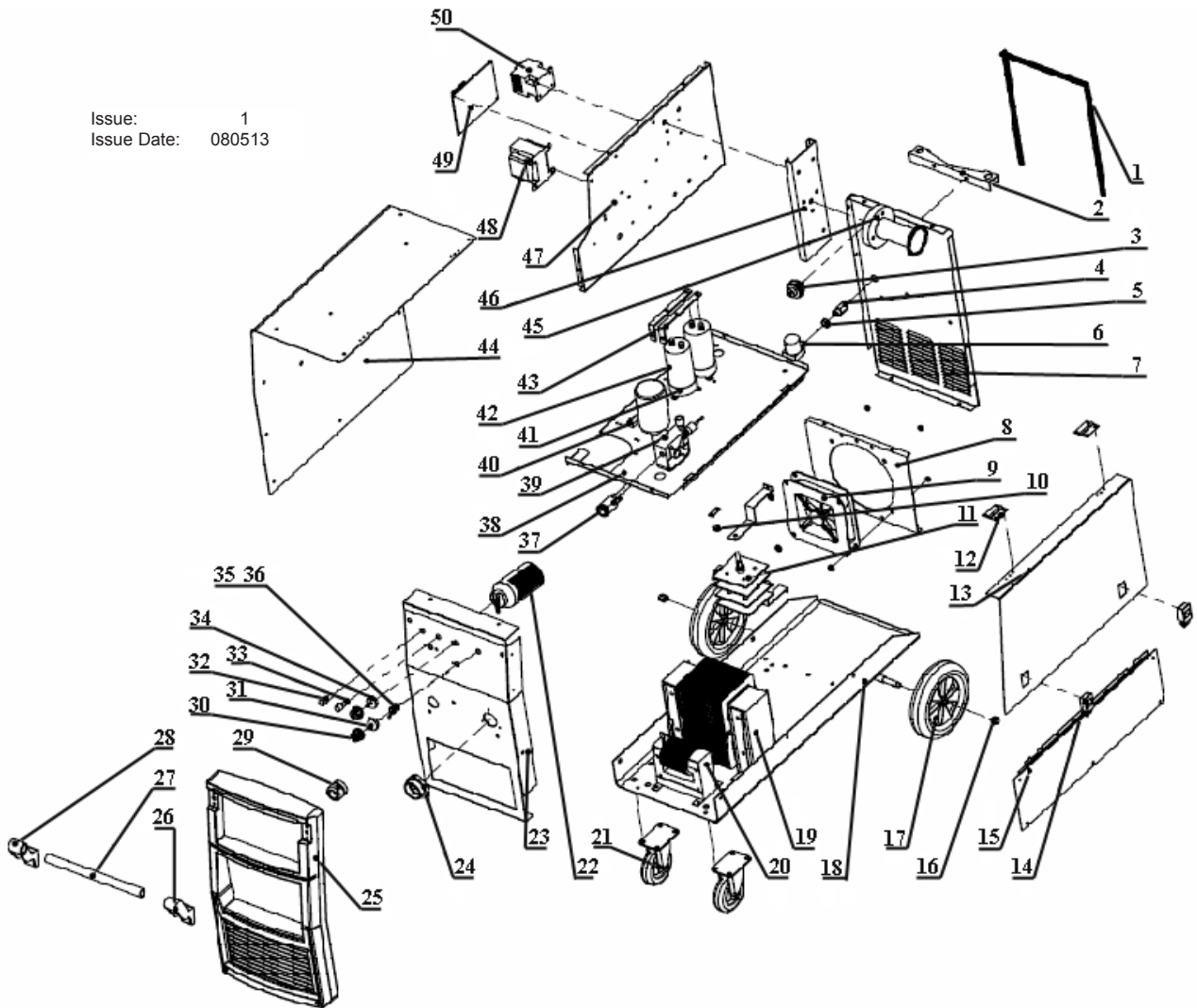


Issue: 1  
 Issue Date: 080513



ITEM	PART NO	DESCRIPTION	ITEM	PART NO	DESCRIPTION	ITEM	PART NO	DESCRIPTION
1	SMIG275.01	CHAIN	18	SMIG255.18	BOTTOM PANEL *	35	SMIG275.35	TOGGLE SWITCH
2	SMIG275.02	CYLINDER SUPPORT	19	SMIG275.18	BOTTOM PANEL **	36	SMIG275.36	GRIP
3	SMIG275.03	CABLE GLAND	20	SMIG255.19	TRANSFORMER *	37	SMIG275.37	COPPER HEAD FOR QUICK SOCKET
4	SMIG275.04	GAS CONNECTOR	21	SMIG275.19	TRANSFORMER **	38	SMIG275.38	MIDDLE PANEL 'A'
5	SMIG275.05	COPPER NUT	22	SMIG255.20	REACTANCE *	39	SMIG275.39	DRIVE MOTOR
6	SMIG275.06	ELECTRO-VALVE	23	SMIG275.20	REACTANCE **	40	SMIG275.40	RESISTOR
7	SMIG275.07	REAR PANEL	24	SMIG275.21	CASTOR WHEEL	41	SMIG275.41	CLAMP FOR CAPACITOR
8	SMIG255.08	FAN MOUNTING PANEL *	25	SMIG255.22	SWITCH *	42	SMIG255.42	CAPACITOR **
9	SMIG275.08	FAN MOUNTING PANEL **	26	SMIG275.22	SWITCH **	43	SMIG275.42	CAPACITOR **
10	SMIG255.09	FAN *	27	SMIG255.23	FRONT PANEL *	44	SMIG275.43	CONNECT BAR
11	SMIG275.09	FAN **	28	SMIG275.23	FRONT PANEL **	45	SMIG275.44	SIDE PANEL, LEFT
12	SMIG255.10	RUBBER SUPPORT *	29	SMIG275.24	TORCH HOLDER	46	SMIG275.45	SPOOL HOLDER
13	SMIG275.10	RUBBER SUPPORT **	30	SMIG275.25	FRONT FRAME	47	SMIG275.46	SPOOL HOLDER SUPPORT
14	SMIG255.11	RECTIFIER (SINGLE PHASE) *	31	SMIG275.26	HANDLE SUPPORT, RIGHT	48	SMIG255.47	MIDDLE PANEL 'B' *
15	SMIG275.11	RECTIFIER (SINGLE PHASE) **	32	SMIG275.27	HANDLE	49	SMIG275.47	MIDDLE PANEL 'B' **
16	SMIG275.12	PLASTIC HINGE	33	SMIG275.28	HANDLE SUPPORT, LEFT	50	SMIG275.48	CONTROL TRANSFORMER
17	SMIG275.13	UPPER SIDE PANEL, RIGHT	34	SMIG275.29	QUICK SOCKET 'EU TYPE'		SMIG255.48	MIG TORCH 3mtr EURO CONNECTOR BINZEL TB15 (not shown)
18	SMIG275.14	DOOR LOCK		35	POTENTIOMETER KNOB			MIG TORCH 3mtr EURO CONNECTOR BINZEL TB25 (not shown)
19	SMIG255.15	LOWER SIDE PANEL, RIGHT *		36	POTENTIOMETER			
20	SMIG275.15	LOWER SIDE PANEL, RIGHT **		37	INDICATOR LIGHT (GREEN)			
21	SMIG275.16	NUT		38	INDICATOR LIGHT (YELLOW)			
22	SMIG275.17	WHEEL		39	POTENTIOMETER			

Parts marked '\*' only for SUPERMIG255  
 Parts marked '\*\*' only for SUPERMIG275

**NOTE:** It is our policy to continually improve products and as such we reserve the right to alter data, specifications and component parts without prior notice.

**IMPORTANT:** No liability is accepted for incorrect use of product.

**WARRANTY:** Guarantee is 12 months from purchase date, proof of which will be required for any claim.

**INFORMATION:** For a copy of our latest catalogue and promotions call us on 01284 757525 and leave your full name and address, including postcode.