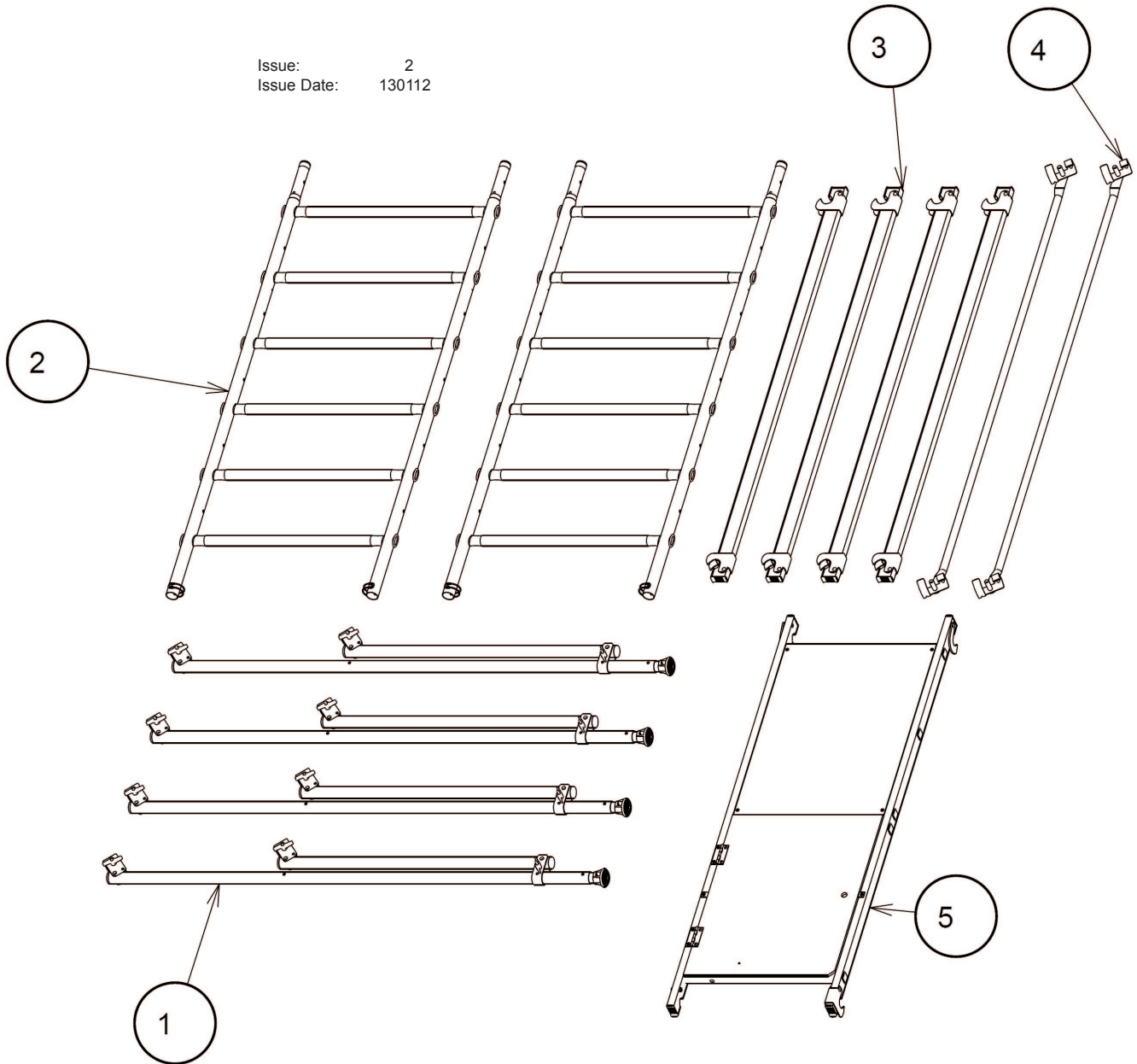


Issue: 2
 Issue Date: 130112



ITEM	PART NO	DESCRIPTION
1	TB-02405/205	STABILISER
2	TB-31201/711	6 RUNG LADDER
3	TB-32421/400	HAND RAIL
4	TB-32437/400	DIAGONAL
5	TB-32454/001	PLATFORM

NOTE: It is our policy to continually improve products and as such we reserve the right to alter data, specifications and component parts without prior notice.

IMPORTANT: No liability is accepted for incorrect use of product.

WARRANTY: Guarantee is 12 months from purchase date, proof of which will be required for any claim.

INFORMATION: For a copy of our latest catalogue and promotions call us on 01284 757525 and leave your full name and address, including postcode.