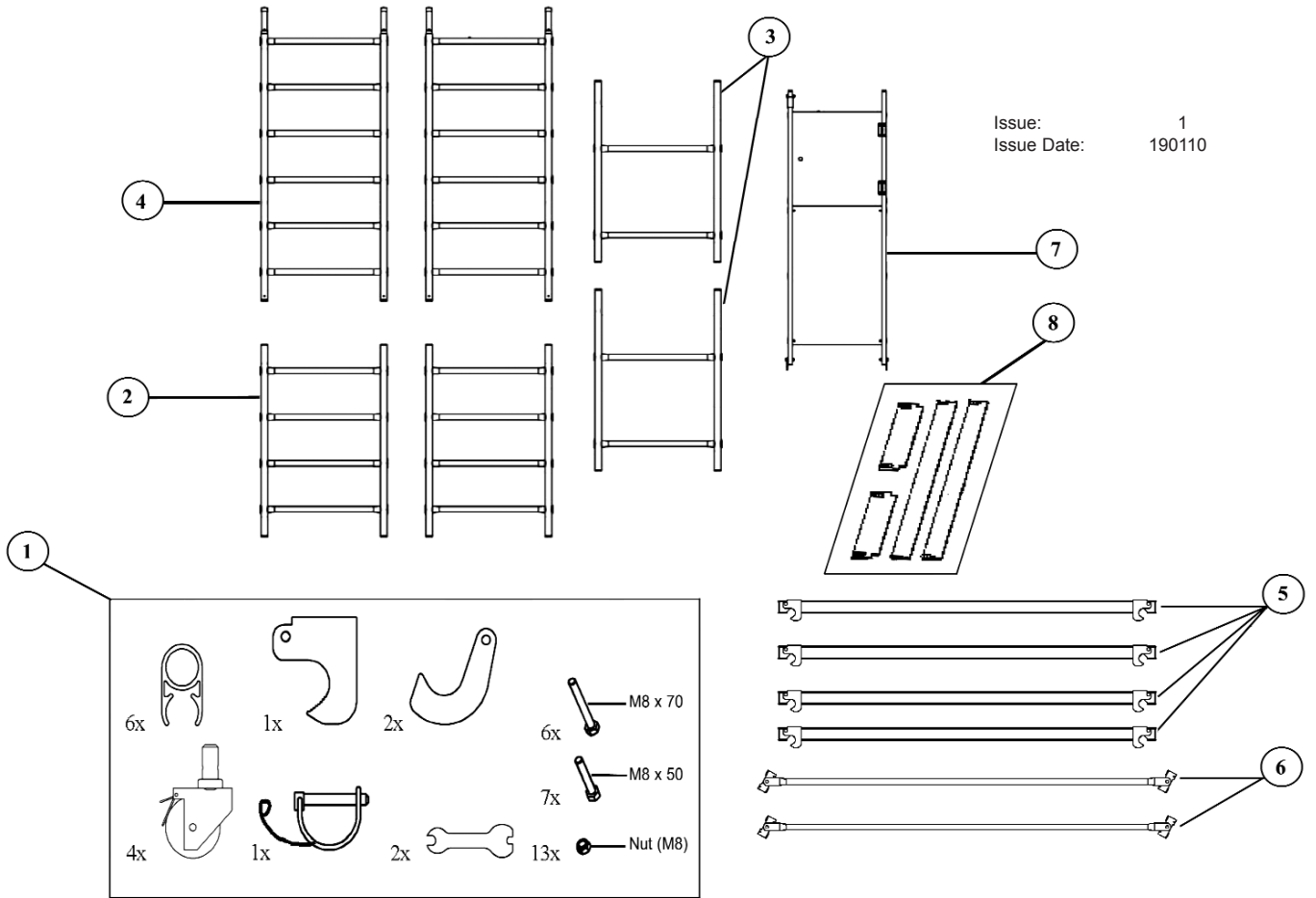


Issue: 1  
 Issue Date: 190110



ITEM	PART NO	DESCRIPTION
1	TB-09999/099	FIXING KIT
2	TB-32101/702	FOLDING FRAME
3	TB-32101/703	ADDITIONAL LADDER
4	TB-31201/711	6 RUNG LADDER
5	TB-32421/400	HAND RAIL
6	TB-32437/400	DIAGONAL
7	TB-32454/001	PLATFORM
8	TB-02408/210	TOE BOARD KIT

**NOTE:** It is our policy to continually improve products and as such we reserve the right to alter data, specifications and component parts without prior notice.

**IMPORTANT:** No liability is accepted for incorrect use of product.

**WARRANTY:** Guarantee is 12 months from purchase date, proof of which will be required for any claim.

**INFORMATION:** For a copy of our latest catalogue and promotions call us on 01284 757525 and leave your full name and address, including postcode.