

Thank you for purchasing a Sealey product. Manufactured to a high standard this product will, if used according to these instructions and properly maintained, give you years of trouble free performance.



IMPORTANT: PLEASE READ THESE INSTRUCTIONS CAREFULLY. NOTE THE SAFE OPERATIONAL REQUIREMENTS, WARNINGS & CAUTIONS. USE THE PRODUCT CORRECTLY AND WITH CARE FOR THE PURPOSE FOR WHICH IT IS INTENDED. FAILURE TO DO SO MAY CAUSE DAMAGE AND/OR PERSONAL INJURY AND WILL INVALIDATE THE WARRANTY. PLEASE KEEP INSTRUCTIONS SAFE FOR FUTURE USE.

1. SAFETY INSTRUCTIONS

- WARNING! Take care when using and moving scaffolding, extended ladders and other such equipment in the vicinity of power cables - risk of potentially fatal electric shock.**
- WARNING!** Ensure Health and Safety, local authority, and general workshop practice regulations are adhered to when using this equipment.
- ✓ Familiarise yourself with the application and limitations of the scaffold, as well as the potential hazards.
- ✓ Maintain the equipment in good condition.
- ✗ **DO NOT** use the equipment if any parts are damaged or missing as this may cause failure and/or personal injury.
- ✓ Replace or repair damaged parts. Use genuine parts only. Non-authorized parts may be dangerous and will invalidate the warranty.
- ✓ Keep the work area clean, uncluttered and ensure there is adequate lighting.
- WARNING!** Use scaffold on level and solid ground and ensure the brakes are applied and/or that the scaffold is anchored and held firmly in place by some means.
- WARNING!** DO NOT erect or use the scaffolding on sloping or unstable ground.
- WARNING!** Never over-reach when on the scaffolding.
- ✓ Keep children and unauthorised persons away from the working area.
- ✗ **DO NOT** use the scaffolding for any purpose other than that for which it is designed.
- ✗ **DO NOT** allow children to climb the scaffolding.
- ✗ **DO NOT** use the equipment when you are tired, under the influence of alcohol, drugs or intoxicating medication.
- ✓ When not in use store in a safe, dry, childproof area.
- ✗ **DO NOT** use the equipment without side guardrails, knee rails and toeboards fitted. Use all the components supplied.
- ✓ When used outside, mobile scaffold towers should, wherever possible, be secured to a building or other reliable structure.
- ✓ It is good practice to tie in all scaffold towers of any height, especially when left unattended or in exposed windy conditions. Use only the recommended wall anchors.
- ✓ Beware of strong wind conditions. Do not erect or use a freestanding tower if the wind is likely to exceed 7.7 m/sec (17mph or Beaufort force 4).
- ✓ Take care when using mobile scaffold towers in hangers or uncovered buildings as windforce may be increased due to funnelling effects.
- ✗ **DO NOT** climb a tower from the outside. Never climb on the horizontal or diagonal braces. You should only climb the tower on the inside using the ladder end frames.
- ✗ **DO NOT** lean ladders against the tower. Never use ladders or boxes to gain additional height.
- ✗ **DO NOT** bridge between the mobile scaffold tower and buildings.
- ✓ Stabilisers and ballast weights shall always be fitted where specified. Ballast is used at the base to stabilise towers from overturning. Ballast must be of solid material (i.e. NOT water or loose sand) and should be positioned so as not to overload individual legs. Ballast should be secured from accidental removal.
- ✓ Keep equipment clean and inspect before and after use for damage. Use serviceable equipment only. All working parts e.g. castors, adjustable legs; stabiliser clamps should be lubricated lightly with oil. Repairs should only be carried out by the supplier or other competent person approved by the supplier.
- ✓ Ensure that all personnel, tools and materials are removed from the tower prior to moving it. Only move the scaffold tower manually on a firm level surface, which is free of any obstacles.

- Only move it longitudinally or diagonally. Do not exceed normal walking speed. Raise the stabilisers 12 mm (½") from the ground. After moving re-lock the castors, check that the tower is level and ensure that the stabilisers are secure and have a firm footing.
- ✗ **DO NOT** exceed the safe working load of the platform. The maximum capacity of the working platform for an evenly distributed load is 1.5 kN/m² (according to HD1004 – scaffold tower Class 2)
- ✗ **DO NOT** jump on to or off the platforms.
- ✗ **DO NOT** Do not use any lifting equipment on the mobile scaffold tower.

2. INTRODUCTION

SSCL1.V2 EN1004 Approved Scaffold Tower System designed to meet the UK PASMA T3 standards. Robust aluminium frame unit with durable corrosion resistance. Heavy-duty platform with trap door for safe access to platform. SSCL1 can be used as a 3mtr or 3.8mtr working height platform by fitting extension kit supplied with the unit. Unique design enables the unit to be quickly and easily folded down without tools for transportation or storage. 860mm Width means unit will pass through most doorways even when fully erected. Hand rails for comfort and safety. Four large Ø125mm castors for easy mobility.

SSCL3 is an extension Kit for the SSCL1 Scaffold Tower System Increases the platform height to 3.5mtr and the working height to 5.5mtr. Supplied with stability legs to stabilise unit and an extra trap door platform.

SSCL4 is an extension Kit to be used with SSCL1 & SSCL3. Further increases the platform height to 5.15mtr and the working height to 7.0mtr.

3. SPECIFICATION

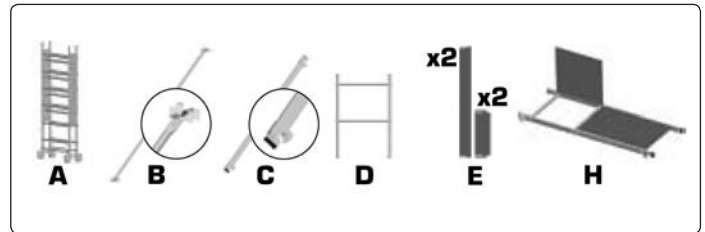
Model No: **SSCL1.V2**
Width: 860mm
Length: 1780mm
Maximum Working Height: 3mtr
Maximum Platform Height: 3.8mtr
Weight: 44.8kg

Model No: **SSCL3**
Width: 1780mm
Width with support legs: 3810mm
Depth: 860mm
Maximum Working Height: 5.5mtr*
Maximum Platform Height: 3.5mtr*
Maximum capacity: 200kg
Weight: 35kg
 *Only when used with SSCL1

Model No: **SSCL4**
Width: 1780mm
Width with support legs: 3810mm
Depth: 860mm
Maximum Working Height: 7.0mtr**
Maximum Platform Height: 5.15mtr**
Maximum capacity: 200kg
Weight: 10kg
 ** Only when used with SSCL1 & SSCL3

4. SSCLI.V2 (CONTENTS)

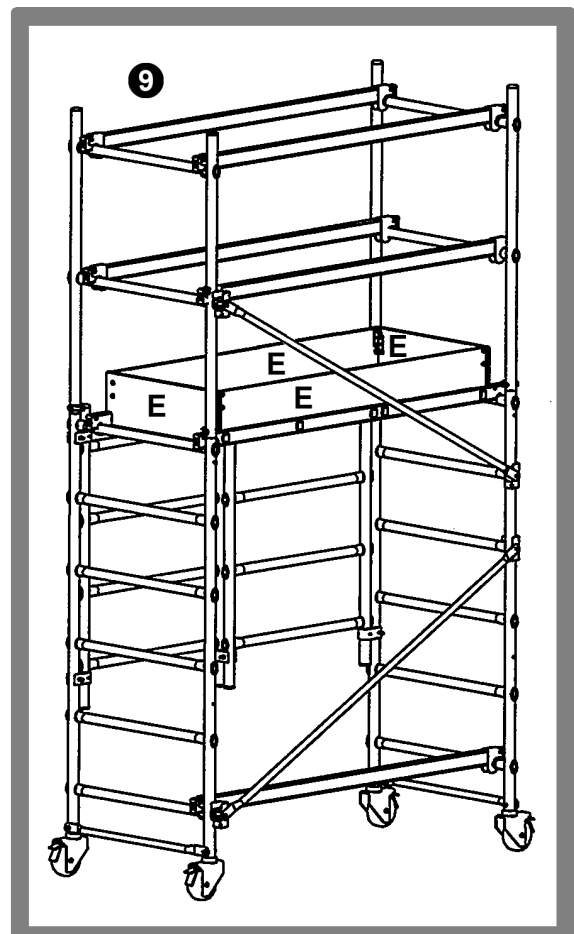
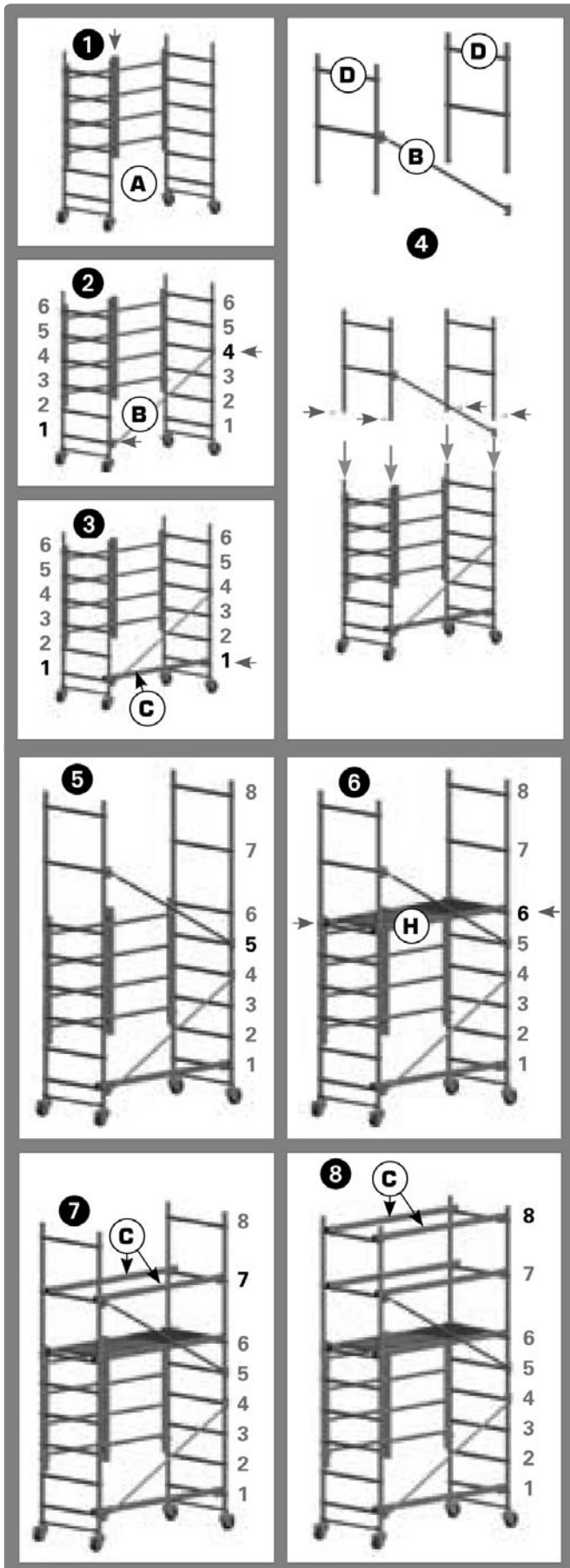
Reference	Description	Quantity
A	Folding base frame with fitted wheels	1
B	Diagonal Brace	2
C	Horizontal brace	5
D	1m Guardrail end frame	2
E	Toeboard set (2 long side, 2 short end)	1
H	Trapdoor Platform	1



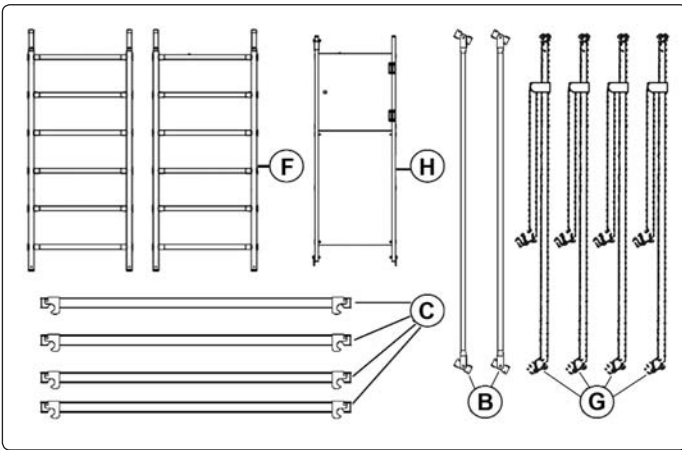
5. SSCLI.V2 (ASSEMBLY)

NOTE: The mobile scaffold tower may only be assembled, used and dismantled by persons familiar with these Assembly and Use Instructions.

- 5.1 Open folding base A and insert the locking pin in the centre of the folding section. (See fig. 1)
- 5.2 Place diagonal B on one side on the first rung and on the 4th rung on the other side. (See fig. 2) Make sure that the butterfly locking part is completely rotated to hold the diagonal firmly in position.
- 5.3 Place horizontal brace C on the first rung and lock in position. (See fig. 3)
- 5.4 Attach a diagonal B onto the lower rung of one of the two-rung guardrail end frames D. (See fig. 4) Position the first two-rung guardrail end frames D (without the diagonal) on the base and then put the two-rung guardrail end frames D already equipped with the diagonal on the other side of the base. (Ensure that the diagonal B is placed at an angle to the one already on the base). (See fig. 4) Ensure that the butterfly locking part is completely rotated to hold the diagonal firmly in position.
- 5.5 Once end frames D are in position, put the 4 locking pins in place and attach the base of diagonal B on to the 5th rung of the base frame A. (See fig. 5)
- 5.6 Place platform H on the 6th rung from the bottom. Lock the wind lock firmly into position. (See fig. 6)
- 5.7 Climb through the trapdoor, sit on the edge and position the two lower horizontal braces C on the 2nd rung from the top. Lock the snaplocks firmly in position. (See fig. 7)
- 5.8 Remaining seated in the same position, put the other two rails C into position on the top-most rungs. Lock the snaplocks firmly into position. (See fig. 8)
- 5.9 Install the toeboards (See fig. 9)
- 5.10 Lock all wheels prior to using the scaffold.



6. SSCL3 (CONTENTS)



Reference	Description	Quantity
B	Diagonal Brace	2
C	Horizontal brace	4
H	Trapdoor Platform	1
F	6 Rung End Frame	2
G	Stabiliser Leg	4

7. SSCL3 (ASSEMBLY)

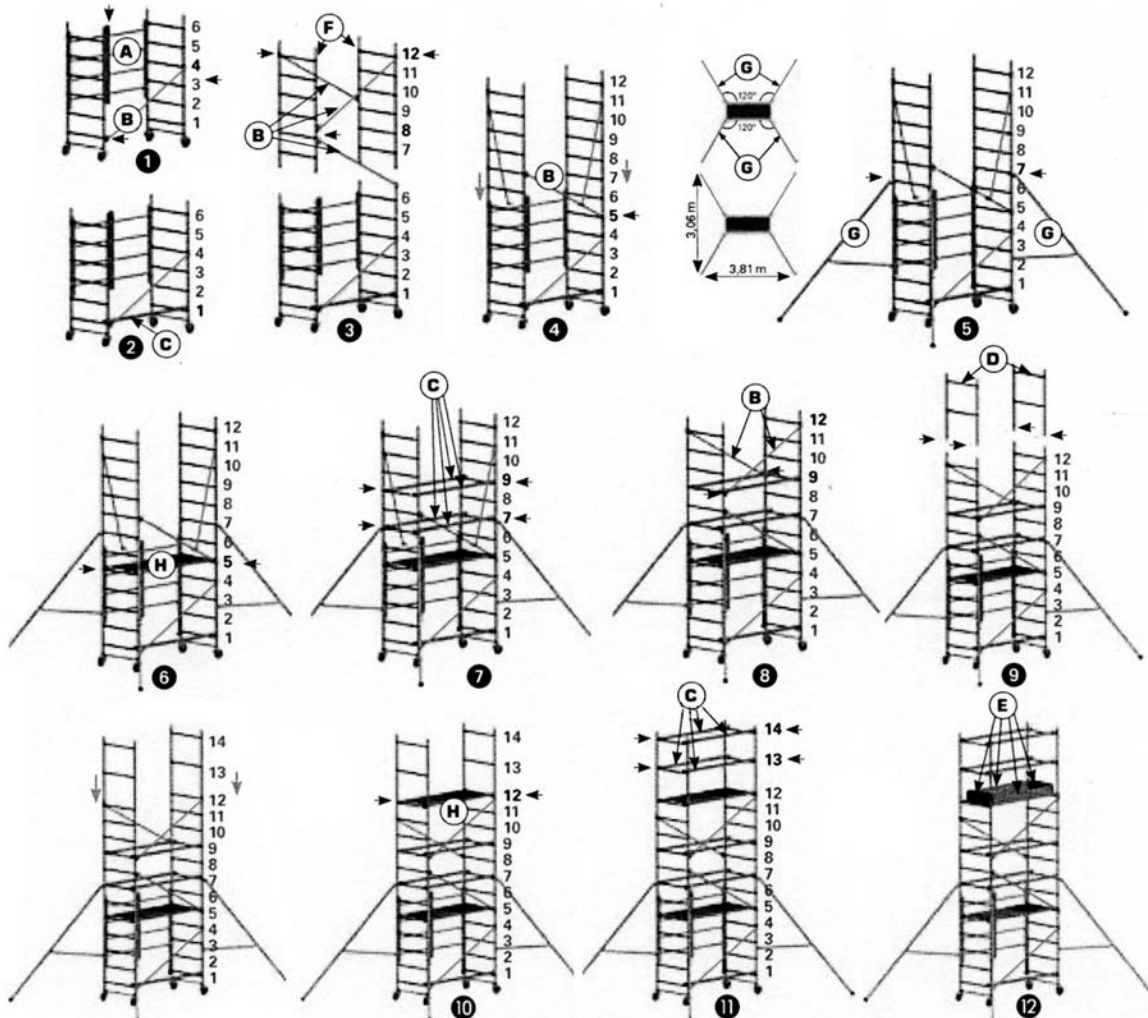
NOTE: The mobile scaffold tower may only be assembled, used and dismantled by persons familiar with these Assembly and Use Instructions.

NOTE: These instructions show the assembly of SSCL1 + SSCL3 from scratch. If you already have SSCL1 assembled it will be necessary to partly disassemble some of the upper parts so that it resembles diagram No.2 below. The parts removed will be reused in the assembly of the extended tower.

- 7.1 Open folding base A and insert the locking pin in the centre of the folding section. Place diagonal B on one side on the first rung

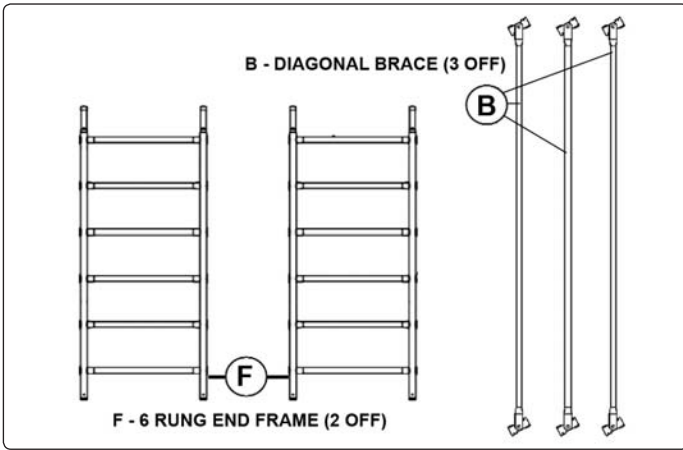
and on the 4th rung on the other side. Make sure that the butterfly locking part is completely rotated to hold the diagonal firmly in position.

- 7.2 Place horizontal brace C on the first rung and lock in position.
- 7.3 Take the two 6 rung end frames, F and 3 diagonals B. Position a diagonal on the topmost rung of one frame and another diagonal on the second rung of the same frame but on the other side. The last diagonal is to be placed on the top rung of the second end frame. Make sure that the butterfly locking part is completely rotated to hold the diagonal firmly in position. **(WARNING : Make sure that everything is the right way round as per the sketch!).**
- 7.4 **Before climbing within the frame, lock the wheels.** Position the end frames on to the folding base and lock the lower diagonal B to the 5th rung of the base frame. Make sure that the butterfly locking part is completely rotated to hold the diagonal firmly in position. Put the 4 locking pins in place to hold the frames to the base.
- 7.5 Position the 4 stabiliser legs G as per the heights indicated on the sketch. Tighten firmly at the correct angle as shown above. Note: Not all stabiliser legs illustrated.
- 7.6 Position platform H on the 5th rung from the bottom
- 7.7 Climb through the trapdoor, sit on the edge and position the two horizontal braces C on the 7th rung from the bottom and the 2 braces C on the 9th rung. Lock the snaplocks firmly in position.
- 7.8 Stand up on the platform and fix the 2 diagonals B hanging from the frames into position. Make sure that the butterfly locking part is completely rotated to hold the diagonal firmly in position.
- 7.9 Put the two 2-rung guardrail end frames D into position. Slide them onto the frames beneath and secure with locking pins.
- 7.10 Place a platform H on the 12th rung from the bottom. Climb through the access hatch, sit on the edge and position the two horizontal braces C on the 2nd rung from the top.
- 7.11 Remaining seated in the same position, put the other two rails C into position on the top-most rungs. Lock the snaplocks firmly in position.
- 7.12 Lastly install the toeboards E.
- Lock all wheels prior to using the scaffold; ensure that the stabiliser legs are secure and firmly seated on the ground.**



Original Language Version

8. SSCL4 (CONTENTS)

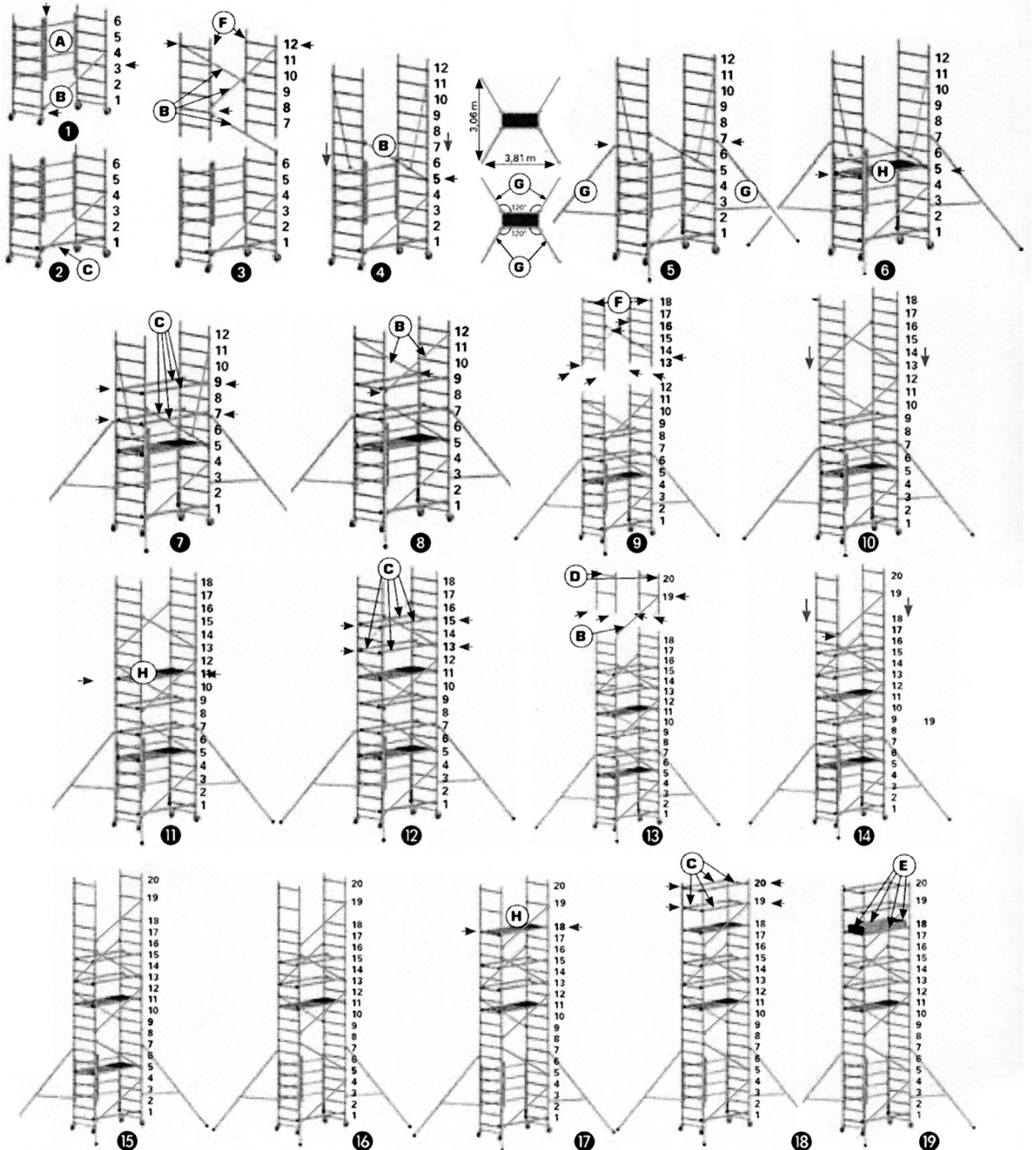


9. SSCL4 (ASSEMBLY)

NOTE: The mobile scaffold tower may only be assembled, used and dismantled by persons familiar with these Assembly and Use Instructions.

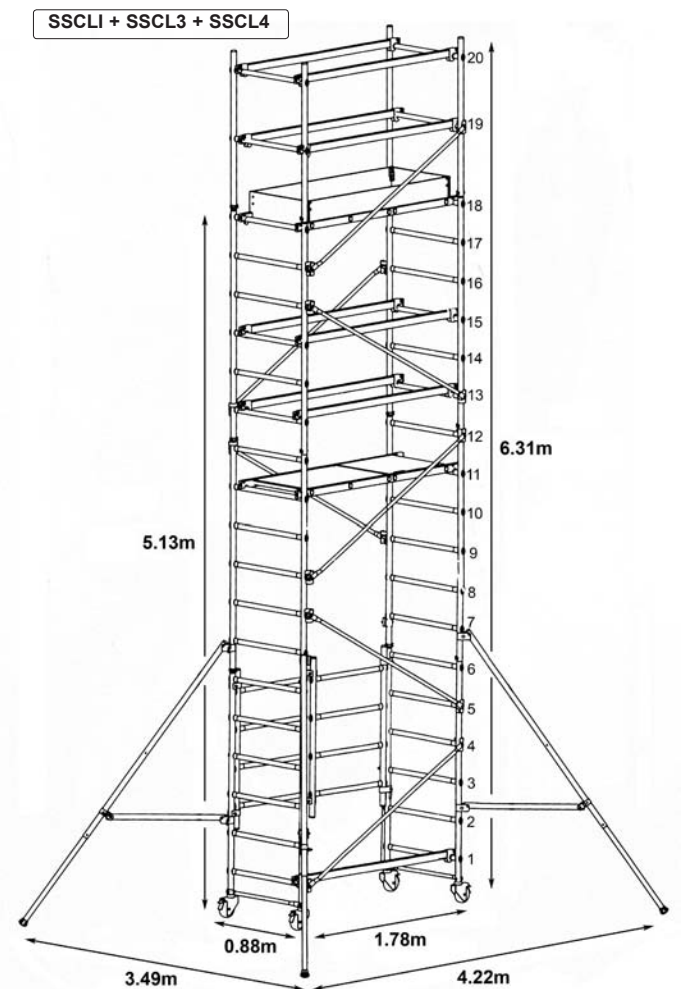
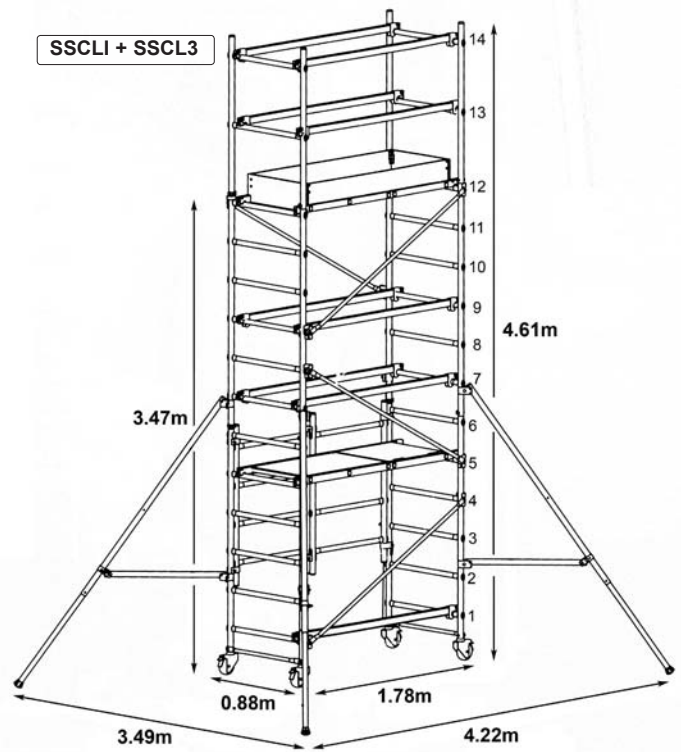
NOTE: These instructions show the assembly of SSCL1 + SSCL3 + SSCL4 from scratch. If you already have SSCL1 + SSCL3 assembled it will be necessary to partly disassemble some of the upper parts so that it resembles diagram No.8 below. The parts removed will be reused in the assembly of the extended tower.

- 9.1 Open folding base A and insert the locking pin in the centre of the folding section. Place diagonal B on one side on the first rung and on the 4th rung on the other side. Make sure that the butterfly locking part is completely rotated to hold the diagonal firmly in position.
- 9.2 Place horizontal brace C on the first rung and lock in position.
- 9.3 Take 2 of the 6 rung end frames, F and 3 diagonals B. Position a diagonal on the topmost rung of one frame and the second



diagonal on the same frame on the second rung on the other side. The last diagonal is to be placed on the top rung of the second end frame (**WARNING : Make sure that everything is the right way round as per the sketch!**)

- 9.4 **Before climbing within the frame, lock the wheels.** Position the end frames on to the folding base and lock the lower diagonal B to the 5th rung of the base frame. Make sure that the butterfly locking part is completely rotated to hold the diagonal firmly in position. Put the 4 locking pins in place.
- 9.5 Position the 4 stabiliser legs G as per the heights indicated on the sketch. Tighten firmly at the correct angle as shown above. Note: Not all stabiliser legs illustrated.
- 9.6 Position platform H on the 5th rung from the bottom.
- 9.7 Climb through the trapdoor, sit on the edge and position the two horizontal braces C on the 7th rung from the bottom and the 2 braces C on the 9th rung. Lock the snaplocks firmly in position.
- 9.8 Stand up on the platform and fix the 2 diagonals B hanging from the frames into position.
- 9.9 Take 2 of the 6 rung end frames, F and 3 diagonals B. Position a diagonal on the 4th rung of each frame but on opposite sides. (**WARNING : Make sure that everything is the right way round as per the sketch!**)
- 9.10 Position the end frames on to frame below and fix the 2 diagonals B hanging from the frames into position. Make sure that the butterfly locking part is completely rotated to hold the diagonal firmly in position. Insert the frame locking pins.
- 9.11 Position a platform H on the 11th rung and lock in place.
- 9.12 Climb through the trapdoor, sit on the edge and position the two horizontal braces C on the 13th rung from the bottom and the 2 braces C on the 15th rung. Lock the snaplocks firmly in position.
- 9.13 Attach a diagonal B onto the lower rung of one of the two-rung guardrail end frames D.
- 9.14 Position the first two-rung guardrail end frame D (without the diagonal) on the base and then put the two-rung guardrail end frame D already equipped with the diagonal on the other side of the base. Fix the diagonal in place on the 17th rung. Make sure that the butterfly locking part is completely rotated to hold the diagonal firmly in position. Insert the frame locking pins.
- 9.15 Climb down to the lowest platform and sitting in the access hatch remove the 4 horizontal braces from rungs 7 and 9 and pass them to the ground.
- 9.16 Climb to the ground and remove the lower platform.
- 9.17 Ascend to the platform on rung 11 and reposition the other platform on the 18th rung from the bottom. Lock the windlocks securely.
- 9.18 Climb through the trapdoor, sit on the edge and position the two lower horizontal braces C on the 2nd rung from the top. Lock the snaplocks firmly in position. Remaining seated in the same position, put the other two rails C into position on the top-most rungs. Lock the snaplocks firmly into position.
- 9.19 Lastly install the toeboards E.
Lock all wheels prior to using the scaffold; ensure that the stabiliser legs are secure and firmly seated on the ground.



NOTE: It is our policy to continually improve products and as such we reserve the right to alter data, specifications and component parts without prior notice.

IMPORTANT: No liability is accepted for incorrect use of this product.

WARRANTY: Guarantee is 12 months from purchase date, proof of which will be required for any claim.

INFORMATION: For a copy of our latest catalogue and promotions call us on 01284 757525 and leave your full name and address, including postcode.



Sole UK Distributor, Sealey Group,
Kempson Way, Suffolk Business Park,
Bury St. Edmunds, Suffolk,
IP32 7AR

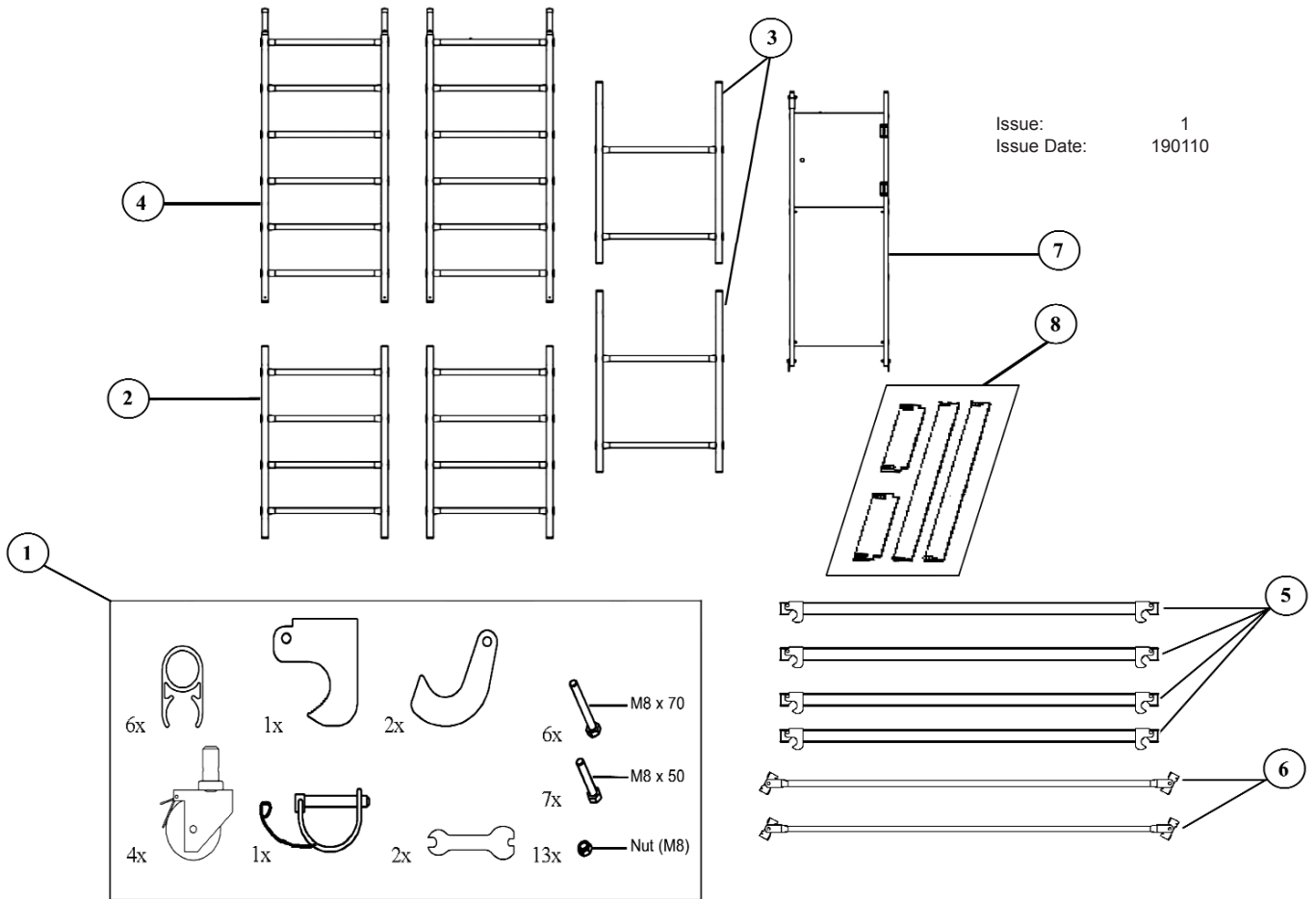
01284 757500

www.sealey.co.uk

01284 703534

sales@sealey.co.uk

Issue: 1
 Issue Date: 190110



ITEM	PART NO	DESCRIPTION
1	TB-09999/099	FIXING KIT
2	TB-32101/702	FOLDING FRAME
3	TB-32101/703	ADDITIONAL LADDER
4	TB-31201/711	6 RUNG LADDER
5	TB-32421/400	HAND RAIL
6	TB-32437/400	DIAGONAL
7	TB-32454/001	PLATFORM
8	TB-02408/210	TOE BOARD KIT

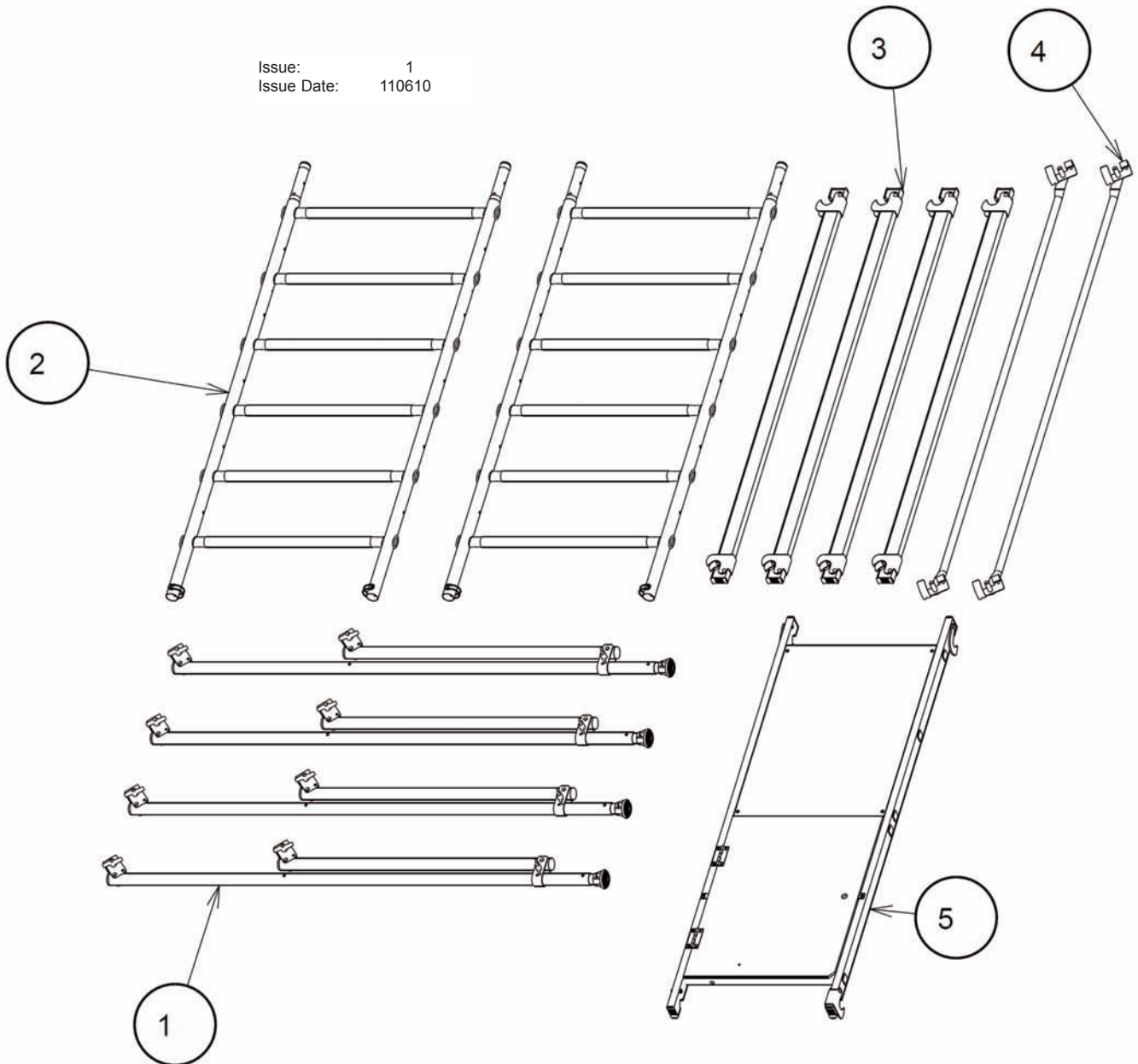
NOTE: It is our policy to continually improve products and as such we reserve the right to alter data, specifications and component parts without prior notice.

IMPORTANT: No liability is accepted for incorrect use of product.

WARRANTY: Guarantee is 12 months from purchase date, proof of which will be required for any claim.

INFORMATION: For a copy of our latest catalogue and promotions call us on 01284 757525 and leave your full name and address, including postcode.

Issue: 1
 Issue Date: 110610



ITEM	PART NO	DESCRIPTION
1	TB-02408/205	STABILISER
2	TB-31201/711	6 RUNG LADDER
3	TB-32421/400	HAND RAIL
4	TB-32437/400	DIAGONAL
5	TB-32454/001	PLATFORM

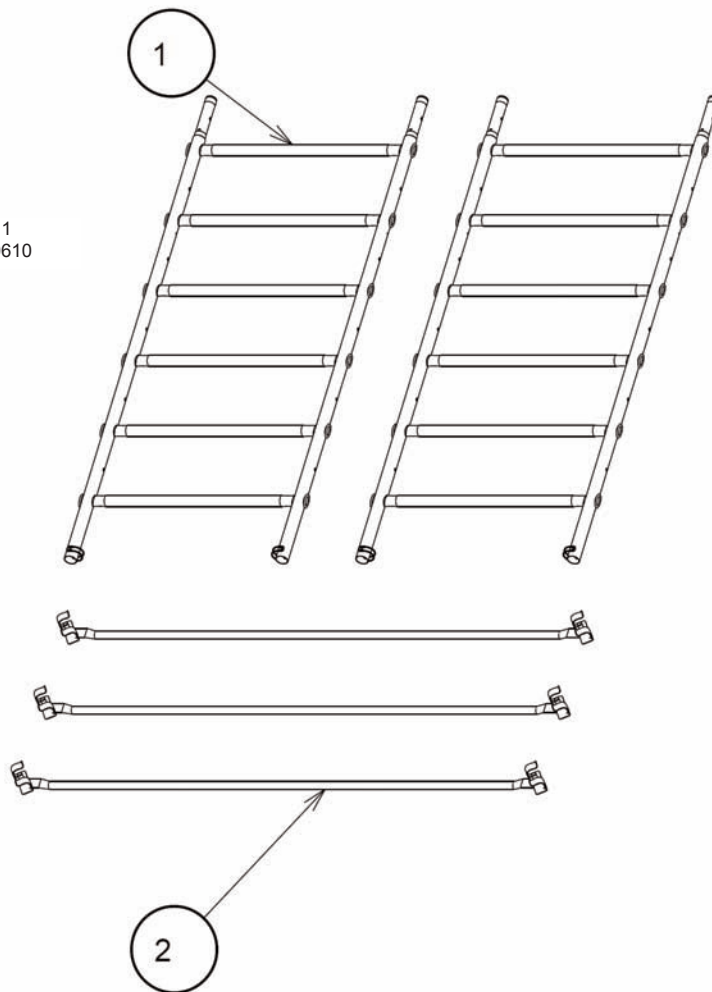
NOTE: It is our policy to continually improve products and as such we reserve the right to alter data, specifications and component parts without prior notice.

IMPORTANT: No liability is accepted for incorrect use of product.

WARRANTY: Guarantee is 12 months from purchase date, proof of which will be required for any claim.

INFORMATION: For a copy of our latest catalogue and promotions call us on 01284 757525 and leave your full name and address, including postcode.

Issue: 1
 Issue Date: 110610



ITEM	PART NO	DESCRIPTION
1	TB-31201/711	6 RUNG LADDER
2	TB-32421/400	HAND RAIL

NOTE: It is our policy to continually improve products and as such we reserve the right to alter data, specifications and component parts without prior notice.

IMPORTANT: No liability is accepted for incorrect use of product.

WARRANTY: Guarantee is 12 months from purchase date, proof of which will be required for any claim.

INFORMATION: For a copy of our latest catalogue and promotions call us on 01284 757525 and leave your full name and address, including postcode.