

Issue: 1
 Issue Date: 170511

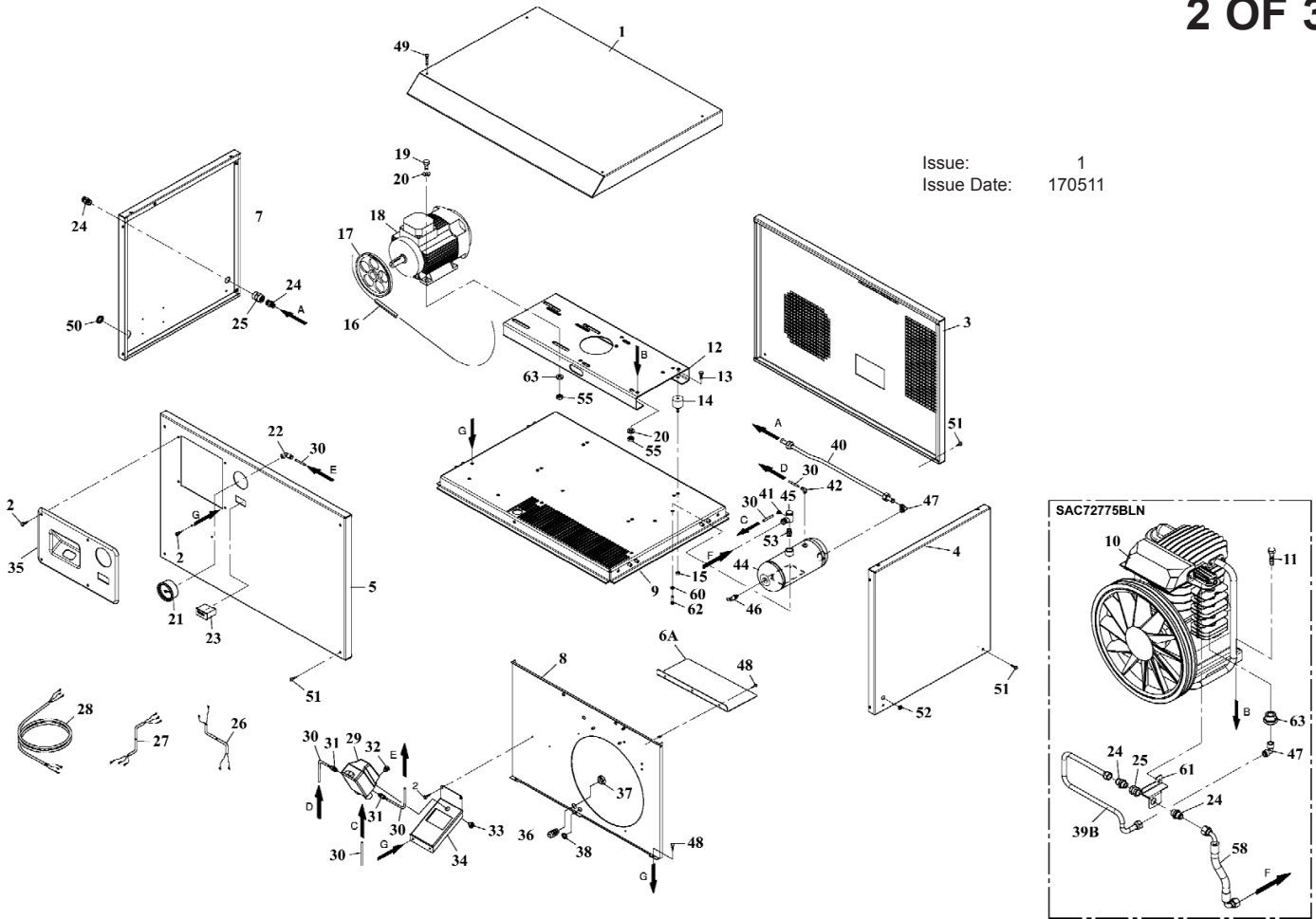
ITEM	PART NO	DESCRIPTION
100	SAC7471780000	TANK 270ltr
101	SAC7192090000	SAFETY VALVE
102	SAC7090030000	PLUG 1/2
103	SAC7130150000	TAP
104	SAC7090020000	PLUG, TANK
105	SAC7011210000	SCREW (M6x25)
106	SAC7080970000	ELBOW
107	SAC7082050000	JOINT 3-WAY
108	SAC7130170000	TAP
109	SAC7030020000	WASHER
110	SAC7031030000	WASHER
111	SAC7090090000	PLUG 1/4"
112	SAC7239220000	DELIVERY PIPE
113	SAC7360400000	RUBBER FOOT
114	SAC7080160000	ELBOW
115	SAC7082820000	ELBOW
116	SAC7230020000	RILSAN HOSE

NOTE: It is our policy to continually improve products and as such we reserve the right to alter data, specifications and component parts without prior notice.

IMPORTANT: No liability is accepted for incorrect use of product.

WARRANTY: Guarantee is 12 months from purchase date, proof of which will be required for any claim.

INFORMATION: For a copy of our latest catalogue and promotions call us on 01284 757525 and leave your full name and address, including postcode.



Issue: 1
 Issue Date: 170511

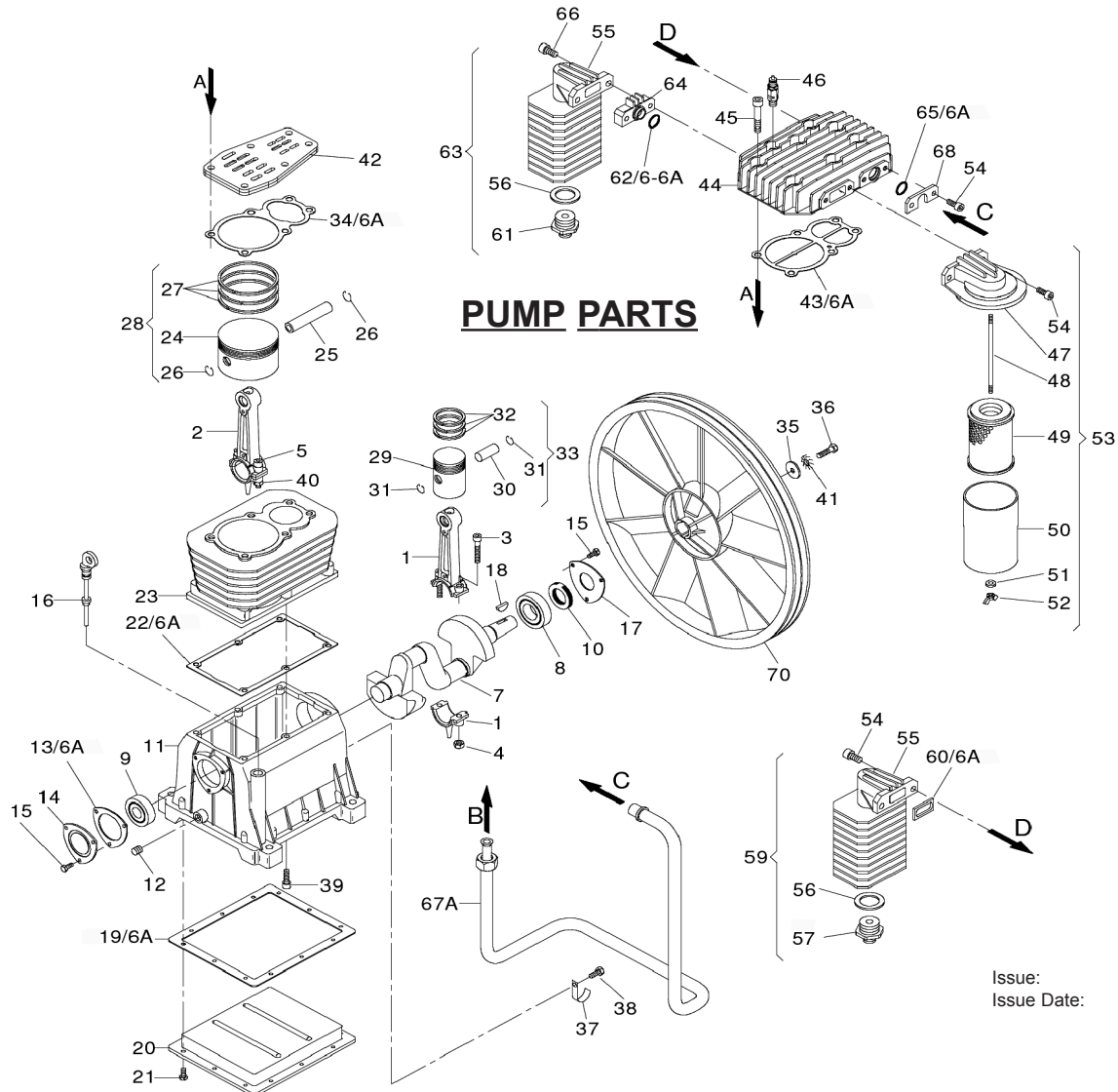
ITEM	PART NO	DESCRIPTION	ITEM	PART NO	DESCRIPTION	ITEM	PART NO	DESCRIPTION
1	SAC5167290008	UPPER PANEL	21	SAC7111030000	PRESSURE GAUGE	41	SAC7080780000	JOINT
2	SAC7014420000	BOLT (M5x20)	22	SAC7080890000	ELBOW	42	SAC6006380614	ELBOW
3	SAC5168940008	REAR PANEL	23	SAC7566190000	TIMER	44	SAC5156280008	TANK
4	SAC5168900008	SIDE PANEL	24	SAC7081311150	JOINT	45	SAC7190150000	NON-RETURN VALVE
5	SAC5168910008	FRONT PANEL	25	SAC7085700000	CONNECTOR	46	SAC7192010000	SAFETY VALVE
6	SAC5168920008	COVER SUPPORT	26	SAC7326650000	PRESSURE SWITCH CABLE	47	SAC7080160000	ELBOW
7	SAC5167300008	SIDE PANEL	27	SAC7328690000	POWER CABLE	48	SAC7012240000	SCREW (M5x15)
8	SAC5167350008	MIDDLE PANEL	28	SAC7328700000	PRESSURE SWITCH CABLE	49	SAC7010500000	SCREW (M5x80)
9	SAC5167360008	BASE	29	SAC7251210000	PRESSURE SWITCH	50	SAC7500060000	GLAND
10	SAC3020521000	PUMP UNIT	30	SAC7230010000	HOSE	51	SAC7014450000	SCREW (M5x50)
11	SAC7011120000	SCREW (M10x45)	31	SAC7084220000	FITTING	52	SAC7091160000	PLASTIC PLUG
12	SAC5167370008	MOTOR/PUMP UNIT BASE	32	SAC7016070000	SWITCH PLUG	53	SAC7081010000	JOINT
13	SAC7011360000	SCREW (M8x10)	33	SAC7090080000	PLUG 3/8	54	SAC7018990000	JOINT
14	SAC7364420000	SHOCK ABSORBER	34	SAC5168930008	PRESSURE SWITCH SUPPORT	55	SAC7020080000	NUT (M10)
15	SAC7020070000	NUT M8	35	SAC7155770000	FRONT PANEL COVER	58	SAC7236720000	RUBBER HOSE
16	SAC7370360000	BELT	36	SAC7500440000	ADJUSTMENT	60	SAC7030020000	WASHER
17	SAC7408410000	MOTOR PULLEY	37	SAC7500440010	LOCK NUT (M20x1.5)	61	SAC5160031148	DELIVERY PIPE SUPPORT
18	SAC7380850000	MOTOR	38	SAC7500070000	GLAND	62	SAC7011210000	SCREW (M6x25)
19	SAC7011170000	BOLT (M10x35)	39	SAC7236740000	DELIVERY PIPE	63	SAC7030060000	WASHER
20	SAC7030040000	WASHER	40	SAC7234530000	DELIVERY PIPE			

NOTE: It is our policy to continually improve products and as such we reserve the right to alter data, specifications and component parts without prior notice.

IMPORTANT: No liability is accepted for incorrect use of product.

WARRANTY: Guarantee is 12 months from purchase date, proof of which will be required for any claim.

INFORMATION: For a copy of our latest catalogue and promotions call us on 01284 757525 and leave your full name and address, including postcode.



Issue: 1
 Issue Date: 170511

ITEM	PART NO	DESCRIPTION	ITEM	PART NO	DESCRIPTION	ITEM	PART NO	DESCRIPTION
1	SAC4190190008	CONNECTING ROD (HIGH)	24	SAC7220110000	PISTON (LOW)	47	SAC5130020008	FILTER COVER
2	SAC4190200008	CONNECTING ROD (LOW)	25	SAC7050120000	PISTON PIN	48	SAC7015150000	TENSION ROD
3	SAC7011680000	SCREW (M8x45)	26	SAC7040130000	SEEGER RING	49	SAC7210240000	FILTER CARTRIDGE
4	SAC7022040000	LOCK NUT	27	SAC4080100000	PISTON RING SET (LOW)	50	SAC7210250000	FILTER CASING
5	SAC7011220000	SCREW (M6x40)	28	SAC4291080000	PISTON GROUP (LOW)	51	SAC7031030000	WASHER
6A	SAC4082550000	GASKET SET	29	SAC7220120000	PISTON (HIGH)	52	SAC7024150000	NUT M6
7	SAC5041030008	CRANKSHAFT	30	SAC7050130000	PISTON PIN	53	SAC4250020000	FILTER GROUP
8	SAC7060150000	BEARING 6206	31	SAC7040140000	SEEGER RING	54	SAC7010050000	SCREW (M8x20)
9	SAC7060060000	BEARING 6205	32	SAC4080080000	PISTON RING SET (HIGH)	55	SAC5130010008	AFTERCOOLER
10	SAC7071060000	OIL SEAL	33	SAC4291090000	PISTON GROUP (HIGH)	56	SAC7079090000	WASHER
11	SAC5071020008	CRANKCASE	34	SAC7079170000	HEAD GASKET	57	SAC5131000008	JOINT
12	SAC7090090000	PLUG 1/4"	35	SAC7030270000	WASHER	59	SAC4251080000	AFTER COOLER GROUP
13	SAC7079160000	GASKET	36	SAC7011100000	BOLT (M8x25)	60	SAC7079100000	GASKET
14	SAC7650070000	FRONT COVER	37	SAC7043050000	CLAMP	61	SAC7081220000	JOINT
15	SAC7011460000	SCREW	38	SAC7012280000	SCREW (5x10)	62	SAC7070120000	O-RING
16	SAC7181100000	DIPSTICK	39	SAC7010090000	SCREW (M8x25)	63	SAC4251060000	AFTER COOLER GROUP
17	SAC7650080000	REAR COVER	40	SAC7010090000	SCREW (M8x25)	64	SAC7458430000	ADAPTOR
18	SAC7051520000	KEY	41	SAC7030360000	TOOTHED WASHER	65	SAC7070260000	O-RING
19	SAC7079190000	BASE GASKET	42	SAC9106600000	VALVE PLATE KIT	66	SAC7010070000	SCREW (M8x40)
20	SAC7650090000	CRANKCASE BASE	43	SAC7079180000	HEAD GASKET	67A	SAC7230700000	DELIVERY TUBE
21	SAC7011440000	SCREW (5x15)	44	SAC5030530008	HEAD	68	SAC7458420000	STOP PLATE
22	SAC7079150000	CYLINDER GASKET	45	SAC7010430000	HEAD BOLT	70	SAC7201240000	FLYWHEEL
23	SAC7575260000	CYLINDER	46	SAC7192350000	SAFETY VALVE			

NOTE: It is our policy to continually improve products and as such we reserve the right to alter data, specifications and component parts without prior notice.

IMPORTANT: No liability is accepted for incorrect use of product.

WARRANTY: Guarantee is 12 months from purchase date, proof of which will be required for any claim.

INFORMATION: For a copy of our latest catalogue and promotions call us on 01284 757525 and leave your full name and address, including postcode.