

Issue: 1  
 Issue Date: 180610

ITEM	PART NO	DESCRIPTION	ITEM	PART NO	DESCRIPTION	ITEM	PART NO	DESCRIPTION
1	SA5040.01	PUMP UNIT (SA5040 only)	19	SA5055.19	WASHER (6.4x24)	38	SA5055.38	OUTLET TAP 3/8"
	SA5055.01	PUMP UNIT (SA5055 only)	20	SA5055.20	WASHER (8x24x2)	39	SA5055.39	SAFETY VALVE 3/8"
2	SA5055.02	FRAME	21	SA5055.21	WASHER (12mm)	40	SA5055.40	REGULATOR
3	SA5055.03	BASE PLATE	22	SA5055.22	WASHER (6.4x18x1.5)	41	SA5040.41	DELIVERY PIPE (SA5040 only)
4	SA5055.04	SCREW (M6x20)	23	SA5055.23	WASHER (12x36x2.5)	42	SA5055.42	DELIVERY PIPE (SA5055 only)
5	SA5055.05	SCREW (M6x30)	24	SA5055.24	WASHER (8mm)	43	SA5055.43	BELT GUARD ASS'Y
6	SA5055.06	SCREW (M10x50)	25	SA5055.25	OLIVE	44	SA5055.44	WHEEL
7	SA5055.07	WHEEL BOLT (M12x100)	26	SA5055.26	SPACER	45	SA5055.45	WHEEL SPACER
8	SA5055.08	SCREW (M8x45)	27	SA5055.27	ELBOW 1/2"	46	SA5055.46	RUBBER FOOT
9	SA5055.09	SCREW 5/16"	28	SA5055.28	CROSS CONNECTOR 1/4"	47	SA5040.47	BELT (SA5040 only)
10	SA5055.10	SCREW (M5x12)	29	SA5055.29	ELBOW 3/8"x1/2"	48	SA5055.48	BELT (SA5055 only)
11	SA5055.11	SCREW (M8x12)	30	SA5055.30	ELBOW 1/2"x3/8"	49	SA5040.49	ENGINE (SA5040 only)
12	SA5055.12	NUT (M12)	31	SA5055.31	PLUG	50	SA5055.50	ENGINE (SA5055 only)
13	SA5055.13	NUT (M6)	32	SA5055.32	UNION REDUCER			PULLEY (SA5040 only)
14	SA5055.14	NUT (M10)	33	SA5055.33	PRESSURE REDUCER			PULLEY (SA5055 only)
15	SA5055.15	NUT (M6)	34	SA5055.34	PRESSURE GAUGE			BELT GUARD SUPPORT
16	SA5055.16	NUT (M8)	35	SA5055.35	PRESSURE GAUGE			BELT GUARD SUPPORT
17	SA5055.17	NUT 1/2"	36	SA5055.36	TAP 3/8"			
18	SA5055.18	WASHER (6mm)	37	SA5055.37	TAP 1/4"			

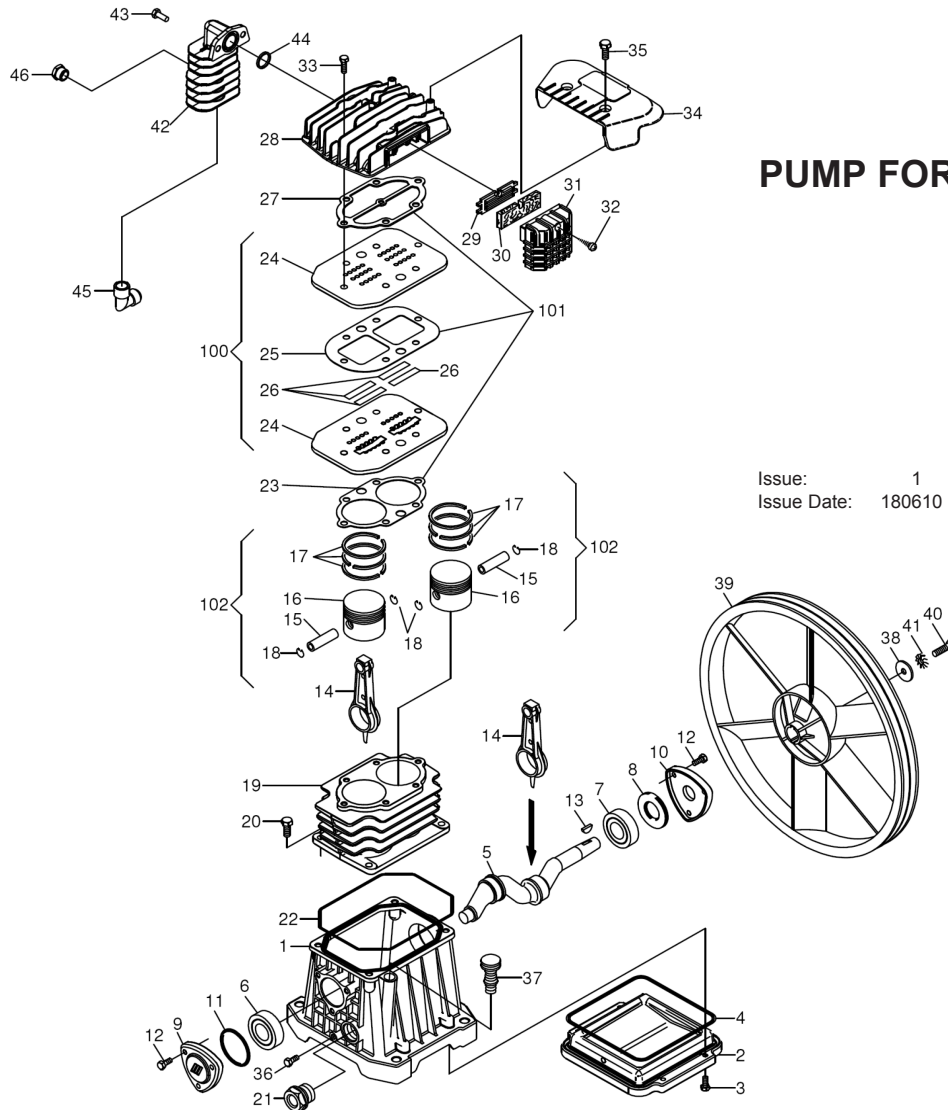
**NOTE:** It is our policy to continually improve products and as such we reserve the right to alter data, specifications and component parts without prior notice.

**IMPORTANT:** No liability is accepted for incorrect use of product.

**WARRANTY:** Guarantee is 12 months from purchase date, proof of which will be required for any claim.

**INFORMATION:** For a copy of our latest catalogue and promotions call us on 01284 757525 and leave your full name and address, including postcode.

## PUMP FOR SA5040



Issue: 1  
 Issue Date: 180610

ITEM	PART NO	DESCRIPTION	ITEM	PART NO	DESCRIPTION
1	SA5040.P01	CRANKCASE	26	SA5040.P26	VALVE REED
2	SA5040.P02	CRANKCASE COVER	27	SA5040.P27	HEAD GASKET
3	SA5040.P03	SCREW (M5x16)	28	SA5040.P28	HEAD
4	SA5040.P04	COVER GASKET	29	SA5040.P29	FILTER PLATE
5	SA5040.P05	CRANKSHAFT	30	SA5040.P30	FILTER ELEMENT
6	SA5040.P06	BEARING (6203)	31	SA5040.P31	INTAKE FILTER
7	SA5040.P07	BEARING (6204)	32	SA5040.P32	SCREW (4.2x12)
8	SA5040.P08	OIL SEAL (20x47x7)	33	SA5040.P33	SCREW (M8x35)
9	SA5040.P09	FRONT COVER	34	SA5040.P34	COVER
10	SA5040.P10	REAR COVER	35	SA5040.P35	SCREW (M5x12)
11	SA5040.P11	O-RING	36	SA5040.P36	SCREW (M6x16)
12	SA5040.P12	SCREW (M6x16)	37	SA5040.P37	BREATHER PLUG
13	SA5040.P13	KEY	38	SA5040.P38	WASHER
14	SA5040.P14	CON-ROD	39	SA5040.P39	FLYWHEEL
15	SA5040.P15	PISTON PIN	40	SA5040.P40	SCREW (M8x25)
16	SA5040.P16	PISTON	41	SA5040.P41	WASHER
17	SA5040.P17	PISTON RING SET	42	SA5040.P42	AFTERCOOLER
18	SA5040.P18	C-RING	43	SA5040.P43	SCREW (M6x16)
19	SA5040.P19	CYLINDER	44	SA5040.P44	O-RING
20	SA5040.P20	SCREW (M8x25)	45	SA5040.P45	ELBOW
21	SA5040.P21	OIL SIGHT GLASS	46	SA5040.P46	PLUG
22	SA5040.P22	CRANKCASE GASKET	100	SA5040.P100	VALVE PLATE SET
23	SA5040.P23	CYLINDER GASKET	101	SA5040.P101	GASKET KIT
24	SA5040.P24	VALVE PLATE	102	SA5040.P102	PISTON GROUP
25	SA5040.P25	VALVE PLATE GASKET			

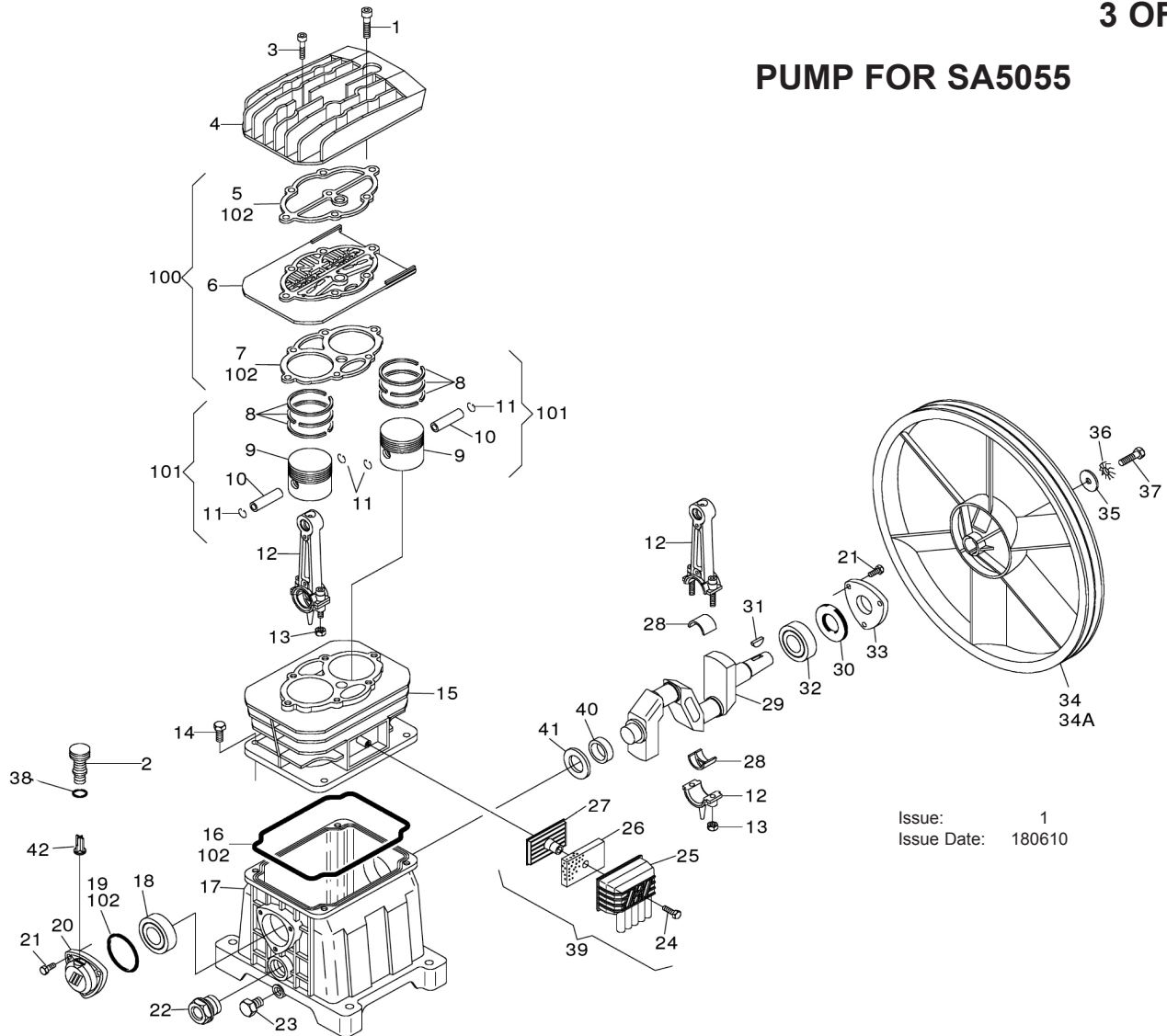
**NOTE:** It is our policy to continually improve products and as such we reserve the right to alter data, specifications and component parts without prior notice.

**IMPORTANT:** No liability is accepted for incorrect use of product.

**WARRANTY:** Guarantee is 12 months from purchase date, proof of which will be required for any claim.

**INFORMATION:** For a copy of our latest catalogue and promotions call us on 01284 757525 and leave your full name and address, including postcode.

## PUMP FOR SA5055



Issue: 1  
 Issue Date: 180610

ITEM	PART NO	DESCRIPTION	ITEM	PART NO	DESCRIPTION
1	SA5055.P01	SCREW (M8x35)	24	SA5055.P24	SCREW (M4x45)
2	SA5055.P02	BEATHER PLUG	25	SA5055.P25	INTAKE FILTER
3	SA5055.P03	SCREW (M6x35)	26	SA5055.P26	FILTER ELEMENT
4	SA5055.P04	HEAD	27	SA5055.P27	VALVE PLATE
5	SA5055.P05	HEAD GASKET	28	SA5055.P28	BUSHING
6	SA5055.P06	VALVE PLATE	29	SA5055.P29	CRANKSHAFT
7	SA5055.P07	CYLINDER GASKET	30	SA5055.P30	OIL SEAL
8	SA5055.P08	PISTON RINGS	31	SA5055.P31	KEY (5x7.5)
9	SA5055.P09	PISTON	32	SA5055.P32	BEARING (6205)
10	SA5055.P10	PISTON PIN	33	SA5055.P33	REAR COVER
11	SA5055.P11	C-RING	34	SA5055.P34	FLYWHEEL
12	SA5055.P12	CON-ROD		SA5055.P34A	FLYWHEEL
13	SA5055.P13	LOCK NUT	35	SA5055.P35	WASHER
14	SA5055.P14	SCREW (M8x25)	36	SA5055.P36	WASHER
15	SA5055.P15	CYLINDER	37	SA5055.P37	SCREW (M8x25)
16	SA5055.P16	CRANKCASE GASKET	38	SA5055.P38	GASKET
17	SA5055.P17	CRANKCASE	39	SA5055.P39	INTAKE FILTER KIT
18	SA5055.P18	BEARING (6204)	40	SA5055.P40	WASHER
19	SA5055.P19	GASKET	41	SA5055.P41	SPACER
20	SA5055.P20	FRONT COVER	42	SA5055.P42	OIL DIPSTICK
21	SA5055.P21	SCREW (M6x20)	100	SA5055.P100	VALVE PLATE SET
22	SA5055.P22	OIL SIGHT GLASS	101	SA5055.P101	PISTON GROUP
23	SA5055.P23	PLUG	102	SA5055.P102	GASKET SET

**NOTE:** It is our policy to continually improve products and as such we reserve the right to alter data, specifications and component parts without prior notice.

**IMPORTANT:** No liability is accepted for incorrect use of product.

**WARRANTY:** Guarantee is 12 months from purchase date, proof of which will be required for any claim.

**INFORMATION:** For a copy of our latest catalogue and promotions call us on 01284 757525 and leave your full name and address, including postcode.