

Issue: 1  
 Issue Date: 130911

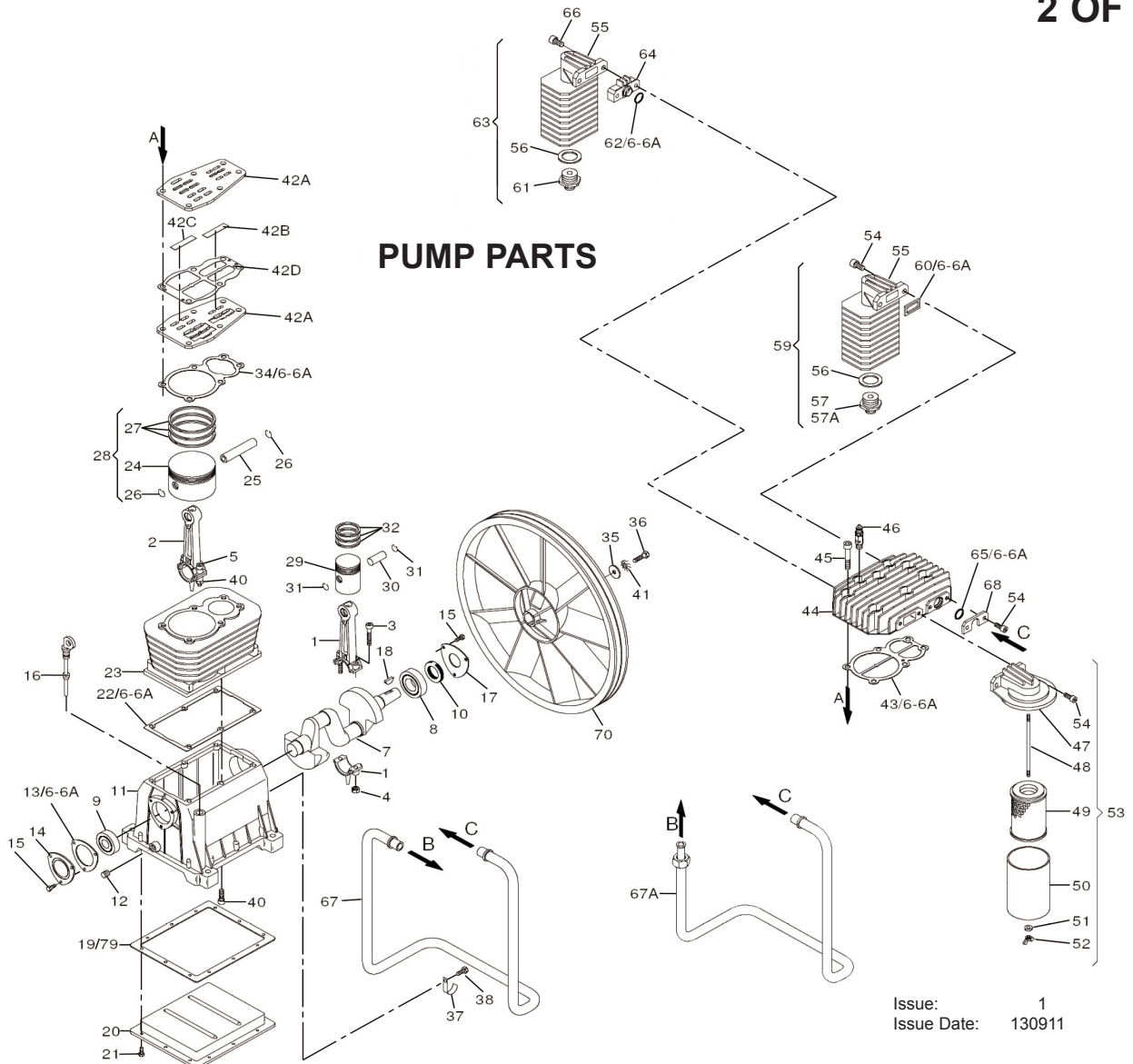
ITEM	PART NO	DESCRIPTION	ITEM	PART NO	DESCRIPTION
1	SAC3020521000	PUMP UNIT	18	SAC7085190000	FITTING 3/8"-1/4" M/F
2	SAC5155360008	TANK 150ltr	19	SAC7090030000	PLUG 1/2
3	SAC7011030000	SCREW (M6x10)	20	SAC7110140000	PRESSURE GAUGE
4	SAC7011080000	SCREW (M8x16)	21	SAC7130150000	TAP 1/2" M/F
5	SAC7011120000	SCREW (M10x45)	22	SAC7130160000	DRAIN VALVE
6	SAC7011310000	SCREW (M8x45)	23	SAC7192090000	SAFETY VALVE
7	SAC7012090000	BOLT (M5x12)	24	SAC7195170000	NON RETURN VALVE
8	SAC7020250000	NUT (M10)	25	SAC7230010000	HOSE
9	SAC7021010000	NUT (M6)	26	SAC7237810000	DELIVERY PIPE
10	SAC7021030000	NUT M8	27	SAC4170270000	BELT GUARD KIT
11	SAC7030120000	WASHER (8x24x2)	28	SAC7364180000	SHOCK ABSORBER
12	SAC7030190000	WASHER (6x18)	29	SAC7371290000	BELT
13	SAC7031010000	TOOTHED WASHER	30	SAC7385440000	ENGINE
14	SAC7031030000	WASHER	31	SAC7406340000	MOTOR PULLEY
15	SAC7038080000	WASHER	32	SAC7456410000	BELT GUARD SUPPORT
16	SAC7080140000	ELBOW 1/8"	33	SAC7456420000	BELT GUARD SUPPORT
17	SAC7080160000	ELBOW	34	SAC9102360000	PNEUMATIC ACCELERATOR

**NOTE:** It is our policy to continually improve products and as such we reserve the right to alter data, specifications and component parts without prior notice.

**IMPORTANT:** No liability is accepted for incorrect use of product.

**WARRANTY:** Guarantee is 12 months from purchase date, proof of which will be required for any claim.

**INFORMATION:** For a copy of our latest catalogue and promotions call us on 01284 757525 and leave your full name and address, including postcode.



Issue: 1  
 Issue Date: 130911

ITEM	PART NO	DESCRIPTION	ITEM	PART NO	DESCRIPTION	ITEM	PART NO	DESCRIPTION
1	SAC4190190008	CONNECTING ROD (HIGH)	25	SAC7050120000	PISTON PIN	46	SAC7192350000	SAFETY VALVE
2	SAC4190200008	CONNECTING ROD (LOW)	26	SAC7040130000	SEEGER RING	47	SAC5130020008	FILTER COVER
3	SAC7011310000	SCREW (M8x45)	27	SAC4080100000	PISTON RING SET (LOW)	48	SAC7015150000	TENSION ROD
4	SAC7022040000	LOCK NUT	28	SAC4291080000	PISTON GROUP (LOW)	49	SAC7210240000	FILTER CARTRIDGE
5	SAC7011220000	SCREW (M6x40)	29	SAC7220120000	PISTON (HIGH)	50	SAC7210250000	FILTER CASING
6	SAC4082550000	GASKET SET	30	SAC7050130000	PISTON PIN	51	SAC7031030000	WASHER
7	SAC5041030008	CRANKSHAFT	31	SAC7040140000	SEEGER RING	52	SAC7024150000	NUT M6
8	SAC7060150000	BEARING 6206	32	SAC4080080000	PISTON RING SET (HIGH)	53	SAC4250020000	FILTER GROUP
9	SAC7060060000	BEARING 6205	33	SAC4291090000	PISTON GROUP (HIGH)	54	SAC7010050000	SCREW (M8x20)
10	SAC7071060000	OIL SEAL	34	SAC7079170000	HEAD GASKET	55	SAC5130010008	AFTERCooler
11	SAC5071020008	CRANKCASE	35	SAC7030270000	WASHER	56	SAC7079090000	WASHER
12	SAC7090090000	PLUG 1/4"	36	SAC7011100000	BOLT (M8x25)	57	SAC5131000008	JOINT
13	SAC7079160000	GASKET	37	SAC7043050000	CLAMP	58	SAC7031010000	TOOTHED WASHER
14	SAC7650070000	FRONT COVER	38	SAC7012280000	SCREW (5x10)	59	SAC4251080000	AFTER COOLER GROUP
15	SAC7011460000	SCREW	39	SAC7458460000	STOP PLATE	60	SAC7079100000	GASKET
16	SAC7181100000	DIPSTICK	40	SAC7010090000	SCREW (M8x25)	61	SAC7081220000	JOINT
17	SAC7650080000	REAR COVER	41	SAC7030360000	TOOTHED WASHER	62	SAC7070120000	O-RING
18	SAC7051520000	KEY	42A	SAC9106600000	VALVE PLATE KIT	63	SAC4251060000	AFTER COOLER GROUP
19	SAC7079190000	BASE GASKET	42B	SAC9106600020	VALVE REED (HIGH)	64	SAC7458430000	ADAPTOR
20	SAC7650090000	CRANKCASE BASE	42C	SAC7199130000	VALVE REED	65	SAC7070260000	O-RING
21	SAC7011440000	SCREW (5x15)	42D	SAC7079780000	VALVE PLATE GASKET	66	SAC7010070000	SCREW (M8x40)
22	SAC7079150000	CYLINDER GASKET	43	SAC7079180000	HEAD GASKET	67	SAC7230700000	DELIVERY TUBE
23	SAC7575260000	CYLINDER	44	SAC5030530008	HEAD	68	SAC7458420000	STOP PLATE
24	SAC7220110000	PISTON (LOW)	45	SAC7010430000	HEAD BOLT	70	SAC7201050000	FLYWHEEL

**NOTE:** It is our policy to continually improve products and as such we reserve the right to alter data, specifications and component parts without prior notice.

**IMPORTANT:** No liability is accepted for incorrect use of product.

**WARRANTY:** Guarantee is 12 months from purchase date, proof of which will be required for any claim.

**INFORMATION:** For a copy of our latest catalogue and promotions call us on 01284 757525 and leave your full name and address, including postcode.