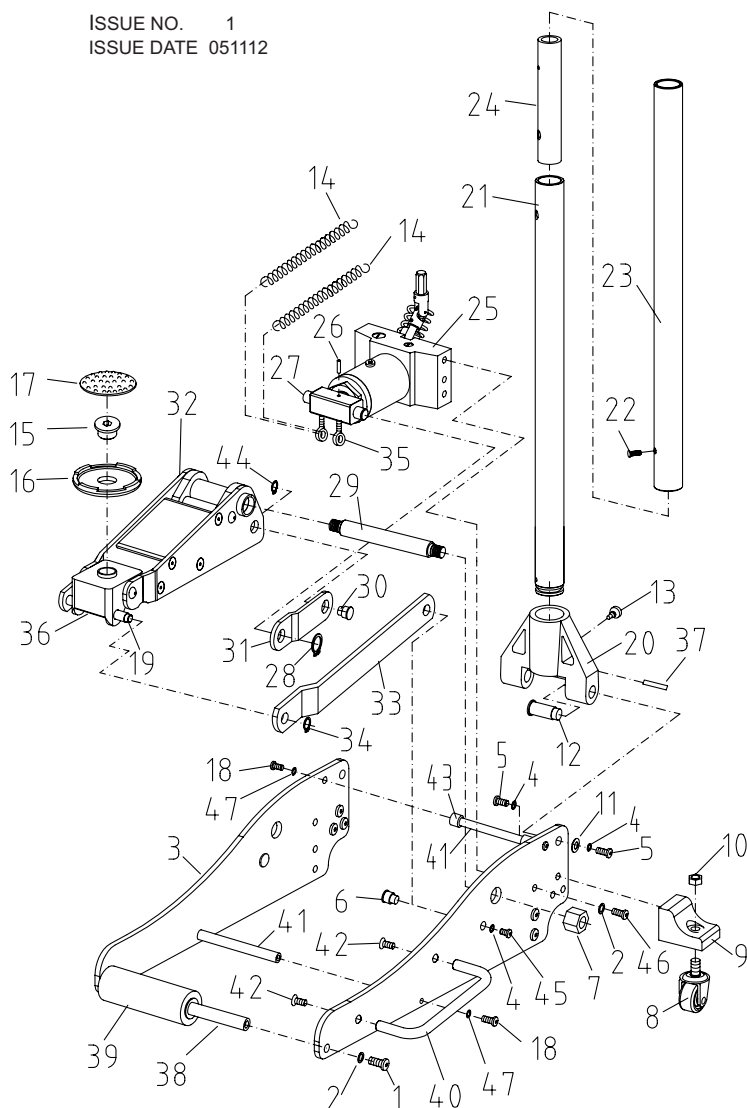


ISSUE NO. 1
 ISSUE DATE 051112



ITEM	PART NO.	DESCRIPTION
1	RJA1550.01	BOLT M10x25
2	RJA1550.02	LINKAGE WASHER (10mm)
3	RJA1550.03	FRAME
4	RJA1550.04	LINKAGE WASHER 08
5	RJA1550.05	BOLT M8X20
6	RJA1550.06	LINK ROD AXIS
7	RJA1550.07	NYLON LOCK NUT M16
8	RJA1550.08	REAR WHEEL ASSY
9	RJA1550.09	REAR WHEEL HOLDER
10	RJA1550.10	NYLON LOCK NUT M10
11	RJA1550.11	FLAT WASHER
12	RJA1550.12	HANDLE SOCKET PIN
13	RJA1550.13	HANDLE SOCKET SCREW
14	RJA1550.14	RETURN SPRING
15	RJA1550.15	SADDLE SHAFT
16	RJA1550.16	SADDLE
17	RJA1550.17	RUBBER SADDLE PAD
18	RJA1550.18	BOLT M6X20
19	RJA1550.19	LINK ROD SHAFT (SHORT)
20	RJA1550.20	HANDLE SOCKET
21	RJA1550.21	HANDLE, LOWER
22	RJA1550.22	BOLT M6X10
23	RJA1550.23	HANDLE, UPPER
24	RJA1550.24	JOINT CONNECTOR
25	RJA1550.25	POWER UNIT ASSY
26	RJA1550.26	SPRING PIN 4X25
27	RJA1550.27	PISTON ROD
28	RJA1550.28	'C'RING No.19
29	RJA1550.29	LIFTING ARM SHAFT
30	RJA1550.30	PULL ROD AXIS
31	RJA1550.31	PULL ROD
32	RJA1550.32	LIFTING ARM
33	RJA1550.33	LINK ROD
34	RJA1550.34	'C'RING No.13
35	RJA1550.35	BOLT
36	RJA1550.36	SADDLE BASE
37	RJA1550.37	SPRING PIN
38	RJA1550.38	FRONT WHEEL SHAFT
39	RJA1550.39	WHEEL FRONT
40	RJA1550.40	SIDE HANDLE
41	RJA1550.41	HOLDER AXIS
42	RJA1550.42	BOLT M6X20
43	RJA1550.43	RUBBER BUSHING
44	RJA1550.44	'C'RING No.16
45	RJA1550.45	BOLT M8X15
46	RJA1550.46	BOLT M10X20
47	RJA1550.47	LINKAGE WASHER 06

NOTE: It is our policy to continually improve products and as such we reserve the right to alter data, specifications and component parts without prior notice.

IMPORTANT: No liability is accepted for incorrect use of product.

WARRANTY: Guarantee is 12 months from purchase date, proof of which will be required for any claim.

INFORMATION: For a copy of our latest catalogue and promotions call us on 01284 757525 and leave your full name and address, including postcode.