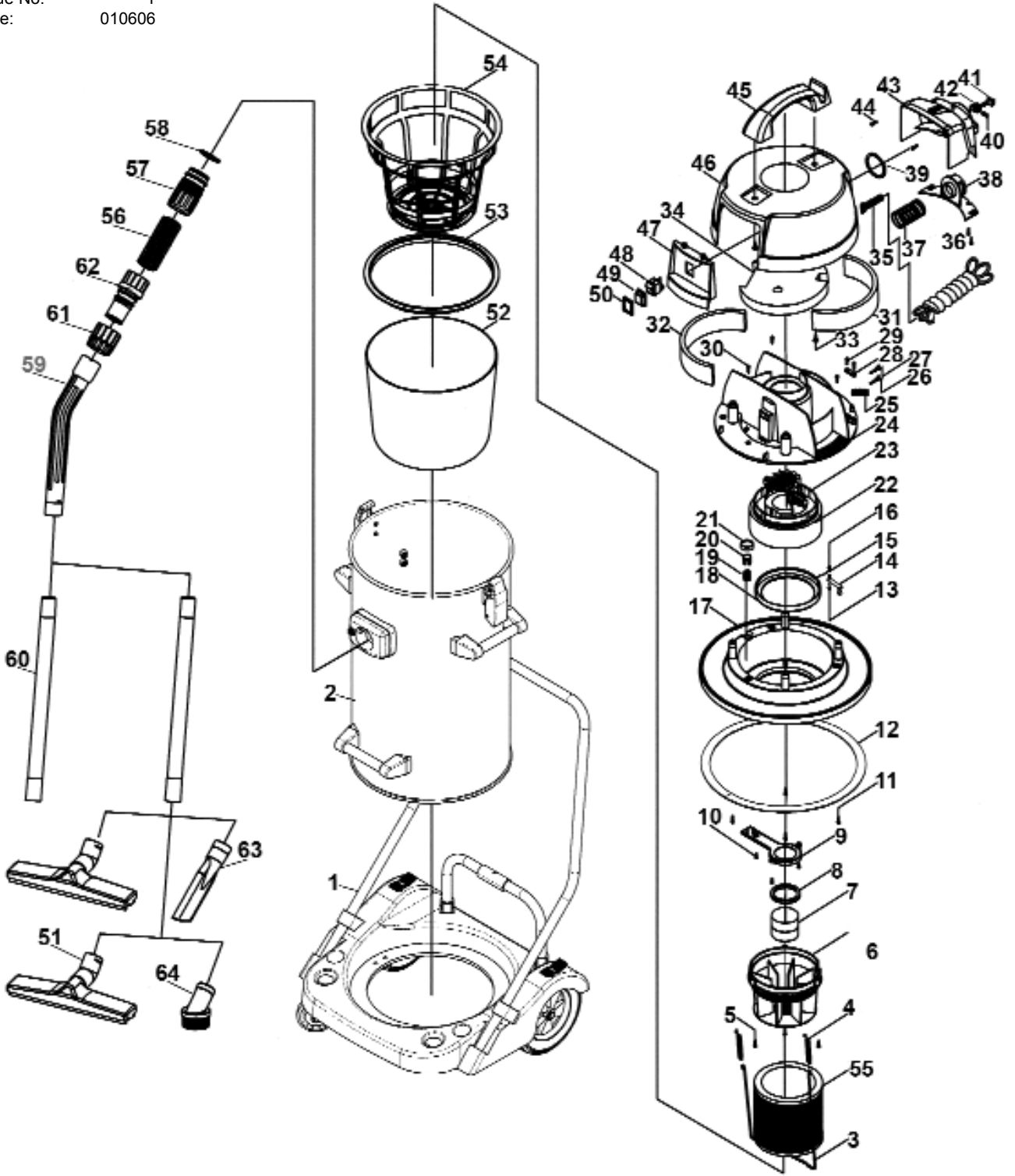


Issue No: 1
Date: 010606





PARTS LIST FOR: **VACUUM CLEANER**

Model: **PC455**

| Item Part No. | Description | Item Part No. | Description | | |
|---------------|-------------|-------------------|-------------|-------------|------------------------|
| 1 | PC455.01 | TROLLEY ASSEMBLY | 33 | PC455.03-32 | SCREW (1/4" x 15) |
| 2 | PC455.02 | TANK ASSEMBLY | 34 | PC455.03-33 | SPONGE "A" |
| 3 | PC455.03-1 | HOOK | 35 | PC455.03-35 | CORD HOLDER |
| 4 | PC455.03-3 | HOOK | 36 | PC455.03-36 | SCREW (M4x16) |
| 5 | PC455.03-4 | SCREW | 37 | PC455.03-37 | SPRING |
| 6 | PC455.03-5 | FRAME | 38 | PC455.03-38 | HOLDER |
| 7 | PC455.03-6 | FLOAT | 39 | PC455.03-39 | GASKET |
| 8 | PC455.03-7 | GASKET | 40 | PC455.03-40 | SPRING |
| 9 | PC455.03-8 | HOLDER | 41 | PC455.03-41 | BUTTON |
| 10 | PC455.03-9 | SCREW (M4x10) | 42 | PC455.03-42 | HOLDER |
| 11 | PC455.03-10 | SCREW (M4x18) | 43 | PC455.03-43 | HOLDER |
| 12 | PC455.03-11 | SEAL | 44 | PC455.03-44 | SCREW (M4x16) |
| 13 | PC455.03-12 | SCREW | 45 | PC455.03-45 | HANDLE |
| 14 | PC455.03-13 | PLATE | 46 | PC455.03-46 | TOP COVER |
| 15 | PC455.03-14 | WIRE | 47 | PC455.03-47 | FRONT COVER |
| 16 | PC455.03-15 | NUT | 48 | PC455.03-48 | SWITCH |
| 17 | PC455.03-16 | MOTOR BASE | 49 | PC455.03-49 | TRANSPARENT COVER |
| 18 | PC455.03-17 | GASKET | 50 | PC455.03-50 | TRANSPARENT COVER |
| 19 | PC455.03-18 | SPRING | 51 | PC455.06 | BRUSH NOZZLE COMPLETE |
| 20 | PC455.03-19 | CLIP | 52 | PC455.04-1 | CLOTH |
| 21 | PC455.03-20 | PLUG | 53 | PC455.04-2 | GASKET |
| 22 | PC455.03-21 | SPONGE | 54 | PC455.04-3 | FRAME |
| 23 | PC455.03-22 | MOTOR | 55 | PC455.PF | PAPER FILTER FOR PC455 |
| 24 | PC455.03-23 | MIDDLE MOTOR BASE | 56 | PC455.05-1 | HOSE 3m |
| 25 | PC455.03-24 | TERMINAL BLOCK | 57 | PC455.05-2 | CONNECTOR |
| 26 | PC455.03-25 | WIRE "A" | 58 | PC455.05-3 | SEAL |
| 27 | PC455.03-26 | WIRE "B" | 59 | PC455.05-4 | ELBOW CONNECTOR |
| 28 | PC455.03-27 | PLATE | 60 | PC455.05-5 | TUBE EXTENSION |
| 29 | PC455.03-28 | SCREW (3.5x12) | 61 | PC455.05-6 | CONNECTOR |
| 30 | PC455.03-29 | SCREW (M5x20) | 62 | PC455.05-7 | CONNECTOR |
| 31 | PC455.03-30 | SPONGE "C" | 63 | PC455.05-8 | CREVICE TOOL |
| 32 | PC455.03-31 | SPONGE "B" | 64 | PC455.05-9 | ROUND BRUSH |



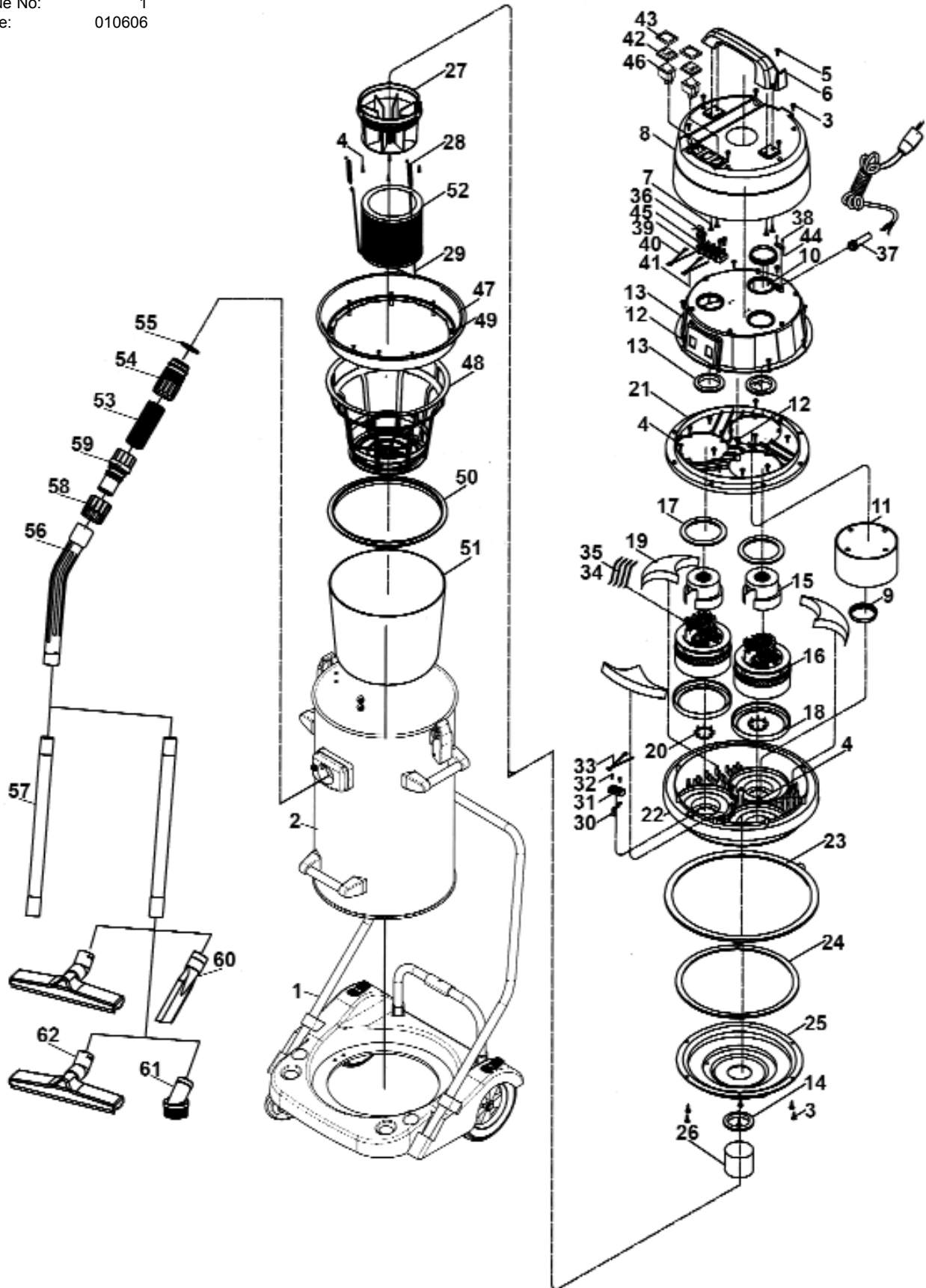
PARTS LIST FOR:

VACUUM CLEANER

Model:

PC477

Issue No: 1
Date: 010606



Sole UK Distributor
Sealey Group,
Bury St. Edmunds, Suffolk.

01284 757500
01284 703534



www.sealey.co.uk
sales@sealey.co.uk



PARTS LIST FOR: **VACUUM CLEANER**

Model: **PC477**

| Item | Part No. | Description | Item | Part No. | Description |
|------|-------------|----------------|------|-------------|------------------------|
| 1 | PC477.01 | TROLLEY ASS'Y | 32 | PC477.04-32 | SCREW (M3x8) |
| 2 | PC477.02 | TANK ASS'Y | 33 | PC477.04-33 | WIRE |
| 3 | PC477.04-1 | SCREW (M5x16) | 34 | PC477.05-11 | WIRE |
| 4 | PC477.04-2 | SCREW (M5x20) | 35 | PC477.05-12 | WIRE |
| 5 | PC477.04-3 | SCREW (M5x63) | 36 | PC477.05-13 | CAPACITOR |
| 6 | PC477.04-4 | HANDLE | 37 | PC477.05-2 | CORD HOLDER |
| 7 | PC477.04-5 | SCREW | 38 | PC477.05-4 | SCREW |
| 8 | PC477.04-6 | TOP HOUSING | 39 | PC477.05-5 | TERMINAL BLOCK |
| 9 | PC477.04-7 | BLOCKER | 40 | PC477.05-6 | WIRE |
| 10 | PC477.04-8 | UPPER BLOCKER | 41 | PC477.05-7 | WIRE |
| 11 | PC477.04-9 | BLANKING CAP | 42 | PC477.05-8 | TRANSPARENT COVER |
| 12 | PC477.04-10 | SCREW | 43 | PC477.05-9 | TRANSPARENT COVER |
| 13 | PC477.04-11 | MIDDLE COVER | 44 | PC455.03-27 | PLATE |
| 14 | PC477.04-12 | GASKET | 45 | PC455.03-44 | SCREW (M4x16) |
| 15 | PC477.04-13 | FAN COVER | 46 | PC455.03-48 | SWITCH |
| 16 | PC455.03-22 | MOTOR | 47 | PC477.03-1 | FRAME HOLDER |
| 17 | PC477.04-15 | FOAM FILTER | 48 | PC477.03-2 | FRAME |
| 18 | PC477.04-16 | GASKET | 49 | PC477.03-3 | SCREW (M4x18) |
| 19 | PC477.04-17 | FOAM FILTER | 50 | PC477.03-4 | FIXING RING |
| 20 | PC477.04-18 | BLANKING PLATE | 51 | PC477.03-5 | CLOTH FILTER |
| 21 | PC477.04-19 | BASE | 52 | PC477.PF | PAPER FILTER FOR PC477 |
| 22 | PC477.04-20 | MOTOR BASE | 53 | PC455.05-1 | HOSE 3m |
| 23 | PC477.04-21 | GASKET | 54 | PC455.05-2 | CONNECTOR |
| 24 | PC477.04-22 | GASKET | 55 | PC455.05-3 | SEAL |
| 25 | PC477.04-23 | BOTTOM BASE | 56 | PC455.05-4 | ELBOW CONNECTOR |
| 26 | PC477.04-25 | FLOAT | 57 | PC455.05-5 | TUBE EXTENSION |
| 27 | PC477.04-26 | FLOAT FRAME | 58 | PC455.05-6 | CONNECTOR |
| 28 | PC477.04-27 | SPRING | 59 | PC455.05-7 | CONNECTOR |
| 29 | PC477.04-29 | HOOK | 60 | PC455.05-8 | CREVICE TOOL |
| 30 | PC477.04-30 | PLATE | 61 | PC455.05-9 | ROUND BRUSH |
| 31 | PC477.04-31 | PLATE | 62 | PC477.07 | BRUSH NOZZLE COMPLETE |