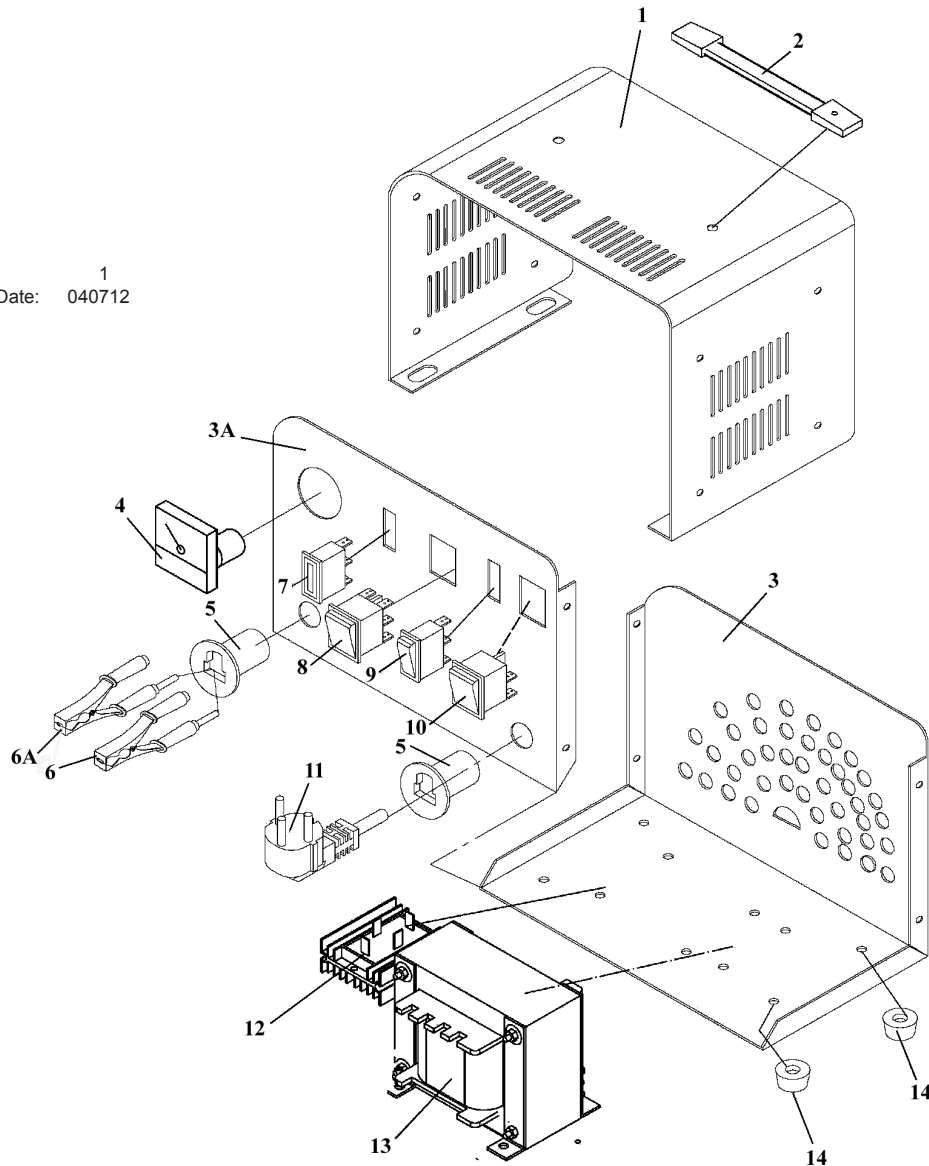


Issue: 1  
 Issue Date: 040712



ITEM	CHARGE106 PART NO	CHARGE107 PART NO	CHARGE110 PART NO	CHARGE112 PART NO	CHARGE115 PART NO	CHARGE124 PART NO	DESCRIPTION
1	CHARGE112.01	CHARGE112.01	CHARGE112.01	CHARGE112.01	CHARGE124.01	CHARGE124.01	TOP COVER
2	CHARGE124.02	CHARGE124.02	CHARGE124.02	CHARGE124.02	CHARGE124.02	CHARGE124.02	HANDLE
3	CHARGE112.03	CHARGE112.03	CHARGE112.03	CHARGE112.03	CHARGE124.03	CHARGE124.03	LOWER PANEL
3A	CHARGE106.03A	CHARGE107.03A	CHARGE110.03A	CHARGE112.03A	CHARGE115.03A	CHARGE124.03A	FRONT PANEL
4	CHARGE112.04	CHARGE112.04	CHARGE112.04	CHARGE112.04	CHARGE124.04	CHARGE124.04	AMMETER
5	CHARGE124.05	CHARGE124.05	CHARGE124.05	CHARGE124.05	CHARGE124.05	CHARGE124.05	CABLE BUSHING
6	CHARGE112.06	CHARGE112.06	CHARGE112.06	CHARGE112.06	CHARGE124.06	CHARGE124.06	POSITIVE CLAMP
6A	CHARGE112.06A	CHARGE112.06A	CHARGE112.06A	CHARGE112.06A	CHARGE124.06A	CHARGE124.06A	NEGATIVE CLAMP
7	CHARGE106.07	CHARGE107.07	CHARGE110.07	CHARGE112.07	CHARGE115.07	CHARGE124.07	FUSE HOLDER (c/w FUSE)
8	CHARGE124.08	CHARGE124.08	CHARGE124.08	CHARGE124.08	CHARGE124.08	CHARGE124.08	SWITCH 12/24V
9	CHARGE124.09	CHARGE124.09	CHARGE124.09	CHARGE124.09	CHARGE124.09	CHARGE124.09	WHITE ROCKER SWITCH
10	CHARGE124.10	CHARGE124.10	CHARGE124.10	CHARGE124.10	CHARGE124.10	CHARGE124.10	ON/OFF SWITCH
11	CHARGE112.11	CHARGE112.11	CHARGE112.11	CHARGE112.11	CHARGE124.11	CHARGE124.11	POWER CABLE WITH PLUG
12	CHARGE112.12	CHARGE112.12	CHARGE112.12	CHARGE112.12	CHARGE124.12	CHARGE124.12	RECTIFIER
13	CHARGE106.13	CHARGE107.13	CHARGE110.13	CHARGE112.13	CHARGE115.13	CHARGE124.13	MAIN TRANSFORMER
14	CHARGE124.14	CHARGE124.14	CHARGE124.14	CHARGE124.14	CHARGE124.14	CHARGE124.14	RUBBER FOOT

**NOTE:** It is our policy to continually improve products and as such we reserve the right to alter data, specifications and component parts without prior notice.

**IMPORTANT:** No liability is accepted for incorrect use of product.

**WARRANTY:** Guarantee is 12 months from purchase date, proof of which will be required for any claim.

**INFORMATION:** For a copy of our latest catalogue and promotions call us on 01284 757525 and leave your full name and address, including postcode.