

MODEL No's	AM12A	AM15A	AM20A	AM30A
------------	--------------	--------------	--------------	--------------

Thank you for purchasing a Sealey product. Manufactured to a high standard this product will, if used according to these instructions and properly maintained, give you years of trouble free performance.

IMPORTANT: PLEASE READ THESE INSTRUCTIONS CAREFULLY. NOTE THE SAFE OPERATIONAL REQUIREMENTS, WARNINGS & CAUTIONS. USE THE PRODUCT CORRECTLY AND WITH CARE FOR THE PURPOSE FOR WHICH IT IS INTENDED. FAILURE TO DO SO MAY CAUSE DAMAGE OR PERSONAL INJURY, AND WILL INVALIDATE THE WARRANTY. PLEASE KEEP INSTRUCTIONS SAFE FOR FUTURE USE.

The use of symbols in this document is to attract your attention to possible danger. The symbols and warnings themselves do not eliminate any danger, nor are they substitutes for proper accident prevention measures.

1. SAFETY INSTRUCTIONS

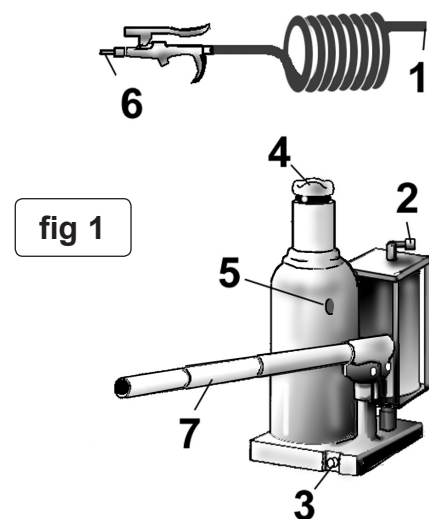
- ✓ Ensure that the jack is undamaged and in good working order.
- ✓ Keep the jack clean, particularly the load face of the saddle.
- ✓ Take immediate action to repair or replace any damaged parts.
- ✓ Use only approved parts/accessories obtained from a Sealey supplier. *The use of non-approved items could be dangerous and will invalidate the warranty.*
- ✓ Ensure that the jack is maintained by a qualified person and that the recommended hydraulic oil is used.
- ✓ Store the jack in a dry, child-proof location when not in use.
- ✓ Keep work area clean and tidy, free from unrelated materials and well lit.
- ✓ Keep non-essential personnel at a safe distance when using jack.
- ✓ Use the jack on solid and level surfaces only.
- ✓ Ensure that vehicle to be raised is unoccupied, that the hand brake is firmly applied and 1st gear is engaged (automatics in 'Park').
- ✓ Ensure that vehicle wheels are chocked to prevent movement in both directions.
- ✓ Check that there is sufficient space around vehicle to allow for tilting.
- ☐ **Warning!** *Ensure that jacking the vehicle will not result in the spillage of fuel, battery acid or other dangerous substances or movement of unrestrained items.*
- ✓ Place the jack under a specified jacking point - see vehicle hand book.
- ✓ Ensure that the jacking point is centred on the jack saddle.
- ✓ Raise the vehicle only as far as is necessary for the task in hand.
- ☐ **Warning!** *Do not work on, or under, a vehicle which is supported only by a jack (or jacks) - always use axle stands.*
- ✗ Do not use the jack if it is damaged.
- ✗ Do not allow untrained persons to use the jack.
- ✗ Do not exceed the load capacity of the jack.
- ✗ Do not use the jack for any purpose other than that for which it is intended.
- ✗ Do not allow anyone inside, or on, the vehicle to be jacked.

2. INTRODUCTION & SPECIFICATIONS

The AM12A/15A/20A/30A are air operated hydraulic bottle jacks with the facility for manual operation should an air supply not be available. All have a screw adjustable saddle-to-piston height, allowing for maximum hydraulic stroke over a range of standing heights.

Specifications

Model	AM12A	AM15A	AM20A	AM30A
Capacity (tons)	12	15	20	30
Min. height (mm)	226	228	237	242
Max. height (mm)	451	450	459	467
Piston stroke (mm)	150	150	150	150
Weight (kg)	12	14	16	20
Air supply optimum (min.)	9 (3)cfm @ 100-143 (90)psi [6.9-9.9 (6.2)barg]			
Hydraulic oil	Sealey Hydraulic Jack Oil			



3. CONTENT & ASSEMBLY

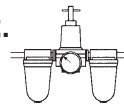
- 3.1 Open packing - storage/carrying case for AM30A - and confirm that the jack, air line and trigger valve and three piece handle are present and undamaged. Should there be any damaged or missing parts contact your supplier immediately.
- 3.2 Connect air line by firmly pushing tube end (fig 1.1) into self-sealing coupling (2) on air cylinder.
- 3.3 Interlock the three handle sections. Note reduced diameter 'working' end section and rounded end hand grip section.

4. OPERATION

4.1. Before first using jack carry out the following preparation:

- (a) Check oil level - Open release valve (fig 1.3) with handle (not more than two turns) and press down on saddle (4) to ensure piston is fully down, then remove oil filler plug (5). Oil should be level with bottom of filler hole. Adjust level as necessary and replace plug.
- (b) Bleed system - With release valve open, operate manual pump for three strokes to bleed any air from the system. Close relief valve.
- (c) Lubricate - Oil the pivots of the manual pump mechanism and the screw thread of the saddle post. Put two or three drops of air tool oil into the inlet of the air valve (6). Connect to air supply and operate for three seconds to distribute lubricant.
- (d) Air supply - An in-line filter is recommended, fig 2.

fig 2.



4.2 Raising

- 4.2.1 Ensure compliance with all safety instructions - chapter 1.
- 4.2.2 Check that release valve is closed.
- 4.2.3 Position jack so that saddle is under vehicle jacking point. If necessary screw up saddle to just below jacking point. **Do not** use handle in the release valve to move jack - damage will result.
- 4.2.4 Press the air valve trigger to raise, release trigger to stop. Alternatively use the handle to operate the manual pump.
- 4.2.5 **Always support the jacked vehicle on axle stands before working on or under it.**

4.3 Lowering

- 4.3.1 Check beneath vehicle for any obstructions and remove axle stands.
- 4.3.2 **Slowly** open release valve with handle and control the rate of descent by smoothly opening or closing the valve.
Note: The release valve should not be closed abruptly (except in an emergency) since this shock loads the hydraulic system.
- 4.3.3 After use jack should be stored with the piston and the manual pump socket both fully down.

5. MAINTENANCE

- 5.1 Clean and lubricate on a regular basis.
- 5.2 Regularly check oil level via filler hole. With piston fully down remove filler plug (5), oil should be level with bottom of filler hole. Top-up as necessary. Use a good quality jack oil such as Sealey Hydraulic Jack Oil. **Do not use brake fluid.**
- 5.3 Annual oil replacement is recommended for jacks in daily use. Remove filler plug and release valve, place jack on its side and allow to drain. Replace release valve and refill with oil. Bleed system as in para. 4.1.(b), re-check level and replace filler plug.
Ensure no dirt enters hydraulic system when draining, filling or removing/replacing components.
- 5.4 Always dispose of waste oil safely and legally. If in doubt consult your local authority.

IMPORTANT: NO RESPONSIBILITY IS ACCEPTED FOR INCORRECT USE OF THIS PRODUCT.

Hydraulic products are only repaired by local service agents. We have service/repair agents in all parts of the UK.

DO NOT RETURN PRODUCT TO US. Please telephone us on 01284 757500 to obtain the address and phone number of your local agent. If product is under guarantee please contact your dealer.

De-commissioning Product

Should the product become completely unserviceable and require disposal, draw off the oil into an approved container and dispose of the product and the oil according to local regulations.

6. TROUBLESHOOTING

Jack will not lift load.	1. Release valve not fully closed. 2. Oil level low. 3. Air supply low.	1. Close valve firmly. 2. Top-up to correct level. 3. Min. requirement 3cfm @ 90psi.
Jack will not hold load.	1. Release valve not fully closed.	1. close valve firmly.
Jack will not lift smoothly or to full height.	1. Oil level low. 2. Air in hydraulic system.	1. Top-up to correct level. 2. Bleed system - see para. 4.1(b).
Jack will not lower completely.	1. Release valve not sufficiently open.	1. Slowly open valve further.

NOTE: It is our policy to continually improve products and as such we reserve the right to alter data, specifications and component parts without prior notice.

IMPORTANT: No liability is accepted for incorrect use of this product.

WARRANTY: Guarantee is 12 months from purchase date, proof of which will be required for any claim.

INFORMATION: For a copy of our latest catalogue and promotions call us on 01284 757525 and leave your full name and address, including postcode.



Sole UK Distributor, Sealey Group,
Kempson Way, Suffolk Business Park,
Bury St. Edmunds, Suffolk,
IP32 7AR



01284 757500



www.sealey.co.uk



sales@sealey.co.uk