

Thank you for purchasing a Sealey product. Manufactured to a high standard this product will, if used according to these instructions and properly maintained, give you years of trouble free performance.

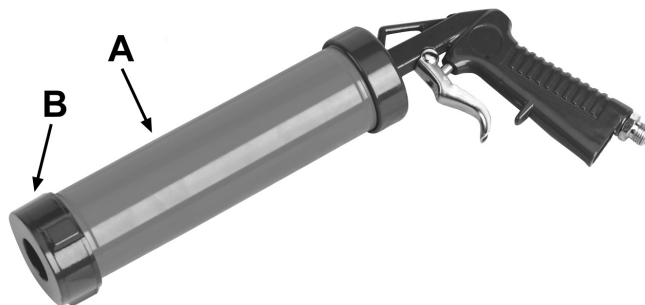
**⚠ IMPORTANT: PLEASE READ THESE INSTRUCTIONS CAREFULLY. NOTE THE SAFE OPERATIONAL REQUIREMENTS, WARNINGS AND CAUTIONS. USE THIS PRODUCT CORRECTLY AND WITH CARE FOR THE PURPOSE FOR WHICH IT IS INTENDED. FAILURE TO DO SO MAY CAUSE DAMAGE AND/OR PERSONAL INJURY AND WILL INVALIDATE THE WARRANTY. PLEASE KEEP INSTRUCTIONS SAFE FOR FUTURE USE.**

### 1. SAFETY INSTRUCTIONS

- WARNING!** Disconnect the gun from the air supply before changing accessories, servicing or performing any maintenance.
- ✓ Maintain the gun in good condition. Replace or repair damaged parts. *Use recommended parts only. Unauthorised parts may be dangerous and will invalidate the warranty.*
- ✓ Keep children and unauthorised persons away from the work area.
- ✓ Avoid unintentional operation.
- ✓ Ensure caulking compound manufacturer's instructions are carefully followed.
- x DO NOT hold gun or attachments close to your face (especially eyes, ears, etc.) and do not point gun or air hose at other persons or animals.
- x DO NOT carry by the air hose, or yank the hose or the gun from the air supply.
- x DO NOT use the gun for any purpose other than that for which it is designed.
- x DO NOT operate the gun if damaged.
- ✓ When not in use disconnect from the air supply and store in a safe, dry, childproof area.

### 2. SPECIFICATION

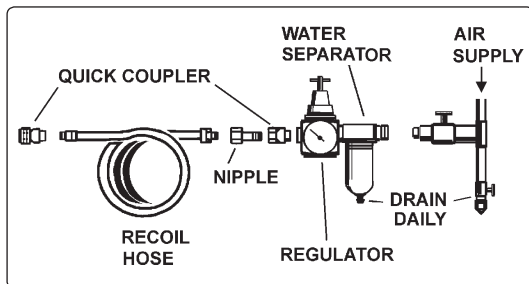
Cartridge	.....215 x 50mm
Air Supply	.....30 - 40psi
Air Consumption	.....15cfm
Air Inlet	.....1/4" BSP



### 3. AIR SUPPLY

For recommended hook-up, see below.

- 3.1. Ensure air valve is in "off" position before connecting to the air supply.
- 3.2. An air pressure of no more than 40psi and an air flow of 15cfm will be required.
- WARNING! Ensure that the air supply does not exceed 40psi. Too high a pressure will shorten the product life and may be dangerous, causing damage and/or personal injury.**
- 3.3. Drain air supply tank daily. Water in the air line will damage the gun and will invalidate your warranty.
- 3.4. Clean compressor air inlet filter screen weekly.
- 3.5. Line pressure should be increased to compensate for unusually long air hoses (over 8 metres). Minimum hose and fittings bore should be 10mm.
- 3.6. Keep hoses away from heat, oil and sharp edges. Check hoses for wear and make certain that all connections are secure.



### 4. OPERATING INSTRUCTIONS

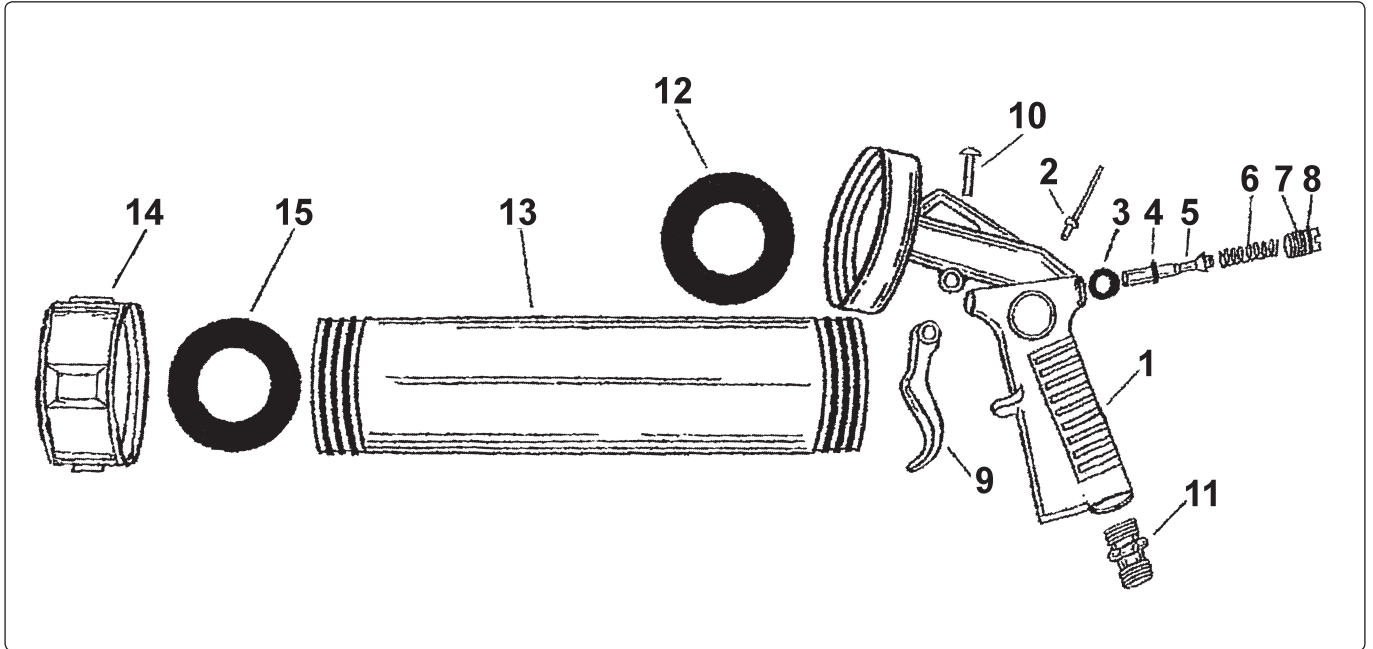
- WARNING! Ensure you read, understand and apply the safety instructions in Section 1 and follow any manufacturer's instructions on the caulking container.**
- 4.1. Screw the gun cylinder A to the gun body.
- 4.2. Unscrew the end cap B from the cylinder and insert the caulking cartridge. Screw on the end cap B to retain the cartridge.
- 4.3. Ensure air supply is regulated to **no more than 40psi (2.75 bar)** and then attach air hose to the gun.
- 4.4. Aim the nozzle of the cartridge into a safe area and depress the gun trigger to check for correct operation.

**NOTE:** It is our policy to continually improve products and as such we reserve the right to alter data, specifications and component parts without prior notice.

**IMPORTANT:** No liability is accepted for incorrect use of this product.

**WARRANTY:** Guarantee is 12 months from purchase date, proof of which will be required for any claim.

**INFORMATION:** For a copy of our latest catalogue and promotions call us on 01284 757525 and leave your full name and address, including postcode.



Item	Part No.	Description
1	AK41.V2-01	Body
2	AK41.V2-02	Rivet
3	AK41.V2-03	O-ring
4	AK41.V2-04	O-ring
5	AK41.V2-05	Valve Stem
6	AK41.V2-06	Spring
7	AK41.V2-07	Base
8	AK41.V2-08	O-ring

Item	Part No.	Description
9	AK41.V2-09	Trigger
10	AK41.V2-10	Rivet
11	AK41.V2-11	Inlet Fitting
12	AK41.V2-12	Rubber Gasket
13	AK41.V2-13	Tube
14	AK41.V2-14	Cap
15	AK41.V2-15	Rubber Gasket

Issue : 1  
 Date Issued: 110302

**NOTE:** It is our policy to continually improve products and as such we reserve the right to alter data, specifications and component parts without prior notice.

**IMPORTANT:** No liability is accepted for incorrect use of this product.

**WARRANTY:** Guarantee is 12 months from purchase date, proof of which will be required for any claim.

**INFORMATION:** For a copy of our latest catalogue and promotions call us on 01284 757525 and leave your full name and address, including postcode.